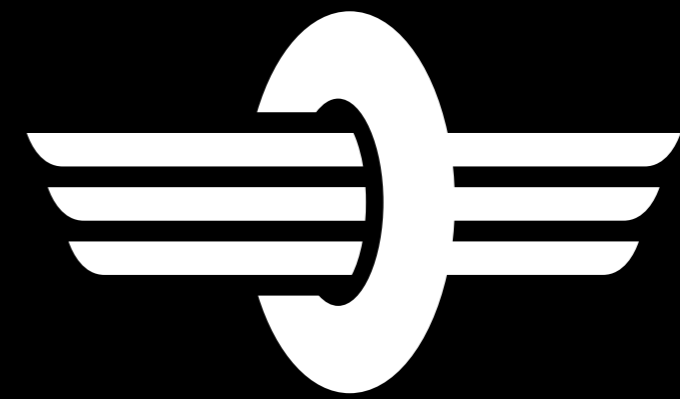




**LA GERMANIA**

**THE KITCHEN GENIUS**

[LAGERMANIA.COM](http://LAGERMANIA.COM)






# DISCOVER YOUR GENIUS IN THE KITCHEN

**For over 100 years, La Germania cooking appliances have set the benchmark for inventiveness, style and reliability. Built to the highest standards with the most advanced European engineering and design, each machine makes creating perfect dishes both simple and pleasurable.**

**Whatever your cooking style, La Germania helps you achieve the highest standards with the greatest of ease. Timeless design, state-of-the-art technology and the trust of generations of cooks speaks volumes. It may sound presumptuous to use the word genius, but we're certain La Germania will bring out yours.**



**La Germania has built its reputation for reliability and style on its inventive approach to the complete kitchen. Every challenge has been anticipated. Every solution elegantly executed with verve and finesse.**

**Each appliance is imagined, designed and produced to perform to the highest standards and meet a specific need. These machines are full of original ideas, realised with state-of-the-art technology and engineering, La Germania makes your kitchen both simple and efficient to use. Not only that, they also look the part, helping you to create a stylish, well-equipped kitchen with ease.**

**Fashions come and go, but you can rely on La Germania day after day, year after year. The expertise encapsulated in these machines is built on many years of insight and understanding of the challenges that cooks face every day. Every style of cooking is catered for. Every opportunity to make things quicker and simpler to use has been assessed and addressed. The attention to detail in these machines matches that of the cooks who choose them.**





# AMERICANA

**FOR CONVIVIALITY.  
FOR GENEROSITY. FOR THE FAMILY.**

**Americana's smart lines and powerful look hints at the expansive generosity of its namesake. Constructed to be solid, well-engineered and very, very reliable, the range is perfect for entertaining friends and family.**

**The free-standing cookers feature gas or electric ovens with gas worktops. A range of three vibrant colours is available or you can opt for the classic stainless-steel finish.**





# FUTURA

THE FUTURE HAS ARRIVED

**Futura's clean lines and striking black-and-steel finish brings a forward-looking feel to any kitchen. Packed with the latest technology, you can choose from a range of models including free-standing cookers with gas or electric ovens and versatile gas worktops.**

**The built-in models include gas and electric ovens, combi-microwaves, and gas, induction and ceramic hobs. With La Germania's innovative engineering, they are designed with one eye on the future.**







# PRIMA

## A MODERN CLASSIC

**Prima brings a timeless modern look and reliability to your kitchen. The classic clean lines and confident style are indicative of the quality of engineering inside and the ease of use.**

**Choose from a range of free-standing cookers with gas or electric ovens and a variety of worktop configurations. Colour options add a 'pop' to your kitchen, emphasising the enduring appeal of these elegant cookers.**



# COLOURS AND FINISHES

**La Germania Americana Serie fulfills its traditional appeal with bright chrome finishes combined with brushed steel trims.**

**La Germania colours are applied in a fully durable, double layer coating on stainless steel using the latest powder-coating processes. The matt finish is acid and temperature resistant.**

**Bringing sophistication and style to your kitchen, La Germania Prima top-end stainless-steel models are available with control knobs in rosso or black, and also with rosso fascia.**

**White-base models are available with a choice of fascia colours in rosso, latte, verde or blu.**



**Matt finishes**



Nero opaco  
Pantone Process  
Black 7C



Vino opaco  
RAL 3005



Crema opaco  
RAL 1013

**Glossy finishes**



Acciaio e Rosso  
RAL 3020



Bianco  
RAL 9003



Latte  
RAL 1001



Blu  
RAL5007



Verde  
RAL 6019

**Americana squared worktop**



**Prima squared worktop**



**Americana pressed worktop**



**Prima pressed worktop**





## Highlights

### Cookers



#### Extra large oven cavity

Extra large oven cavity up to 142Lt to accommodate all types and sizes of dishes

5 shelf positions to maximise usage and enable simultaneous cooking of many dishes

Safety oven shelf racks enables the user control of its cooking in maximum comfort

Dual fan system guarantees even heat distribution for perfect and uniform cooking

#### New hob top

Easy to clean stainless steel hob top. Single sheet pressing construction with no joints or screws

Optimized cooking surface with space between burners designed to enable cooking with multiple large pots simultaneously

Hob design with recessed areas that contains even the larger spills or accidental overflow of liquids



#### Analogue thermometer

The distinctly iconic analogue thermometer is a main feature of all the top of the range models enhancing the professional look of the cookers

The thermometer enables the used to monitor the gradual changes of temperature within the oven

The winged wheel of the logo endorses the quality a design of the Made in Italy



#### Power burner

A powerful 5 KW double ring wok burner enables the rapid boiling of even large pots

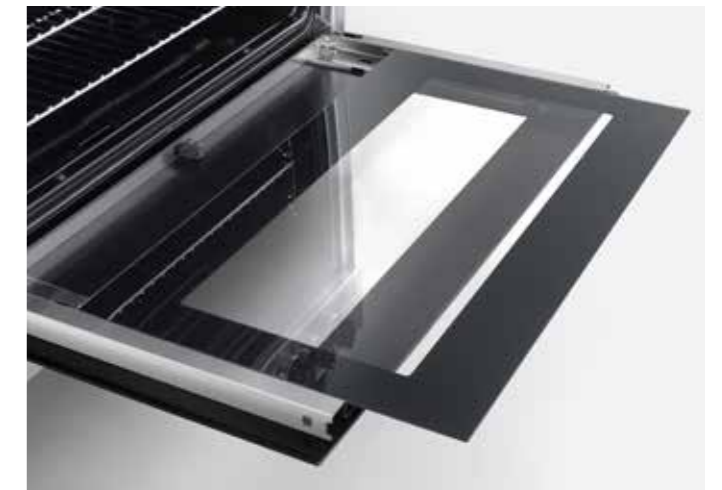
The double ring burner is also flexible with the option to just power the inner small ring for small pots or both rings for larger ones

#### New oven door

Easy to clean removable inner door glass

New ergonomic door design and soft motion door with balanced hinge system

Up to three door glasses for greater insulation and energy efficiency



#### Cast iron pan support

Pan supports are available in cast iron for users who like a professional style or enamelled steel for those whose preference is for a lighter and easier to move pots

All pan supports are designed to guarantee maximum stability of the pans and allow the user to move them along the hob top without lifting them

The pan supports height is optimised to guarantee maximum cooking efficiency reducing the cooking time



#### Distinctive Design

Ergonomic design, refined materials creating high quality finish such as soft touch, "milleluci" controls

A refined design that fits harmoniously with the style of your kitchen

Elegant stainless steel and muted matt colours in the classic Americana series

Everlasting stainless steel or a stunning RED finish available on the moders Prima series

## Built-in ovens



### New extra large oven cavity

Extra large oven cavity up to 76 Lt offers no limits to size of your dishes

Fast - pre Heat technology delivers quick heat up time

Even heat distribution deliver uniform cooking throughout

### Panoramic door

Easy to clean removable inner door glass

Monitor your food during cooking through the large panoramic door

Ergonomic design and balanced hinge system deliver a soft and smooth door action



### Multilevel cooking

5 different shelf levels offer choice and space for many dishes to be cooked simultaneously

Convection technology allows to cook different recipes at the same time without mixing flavours

Numbered shelves position provide guide for specific recipes which can be repeated time after time



### Cleaning and Safety

Easy to clean grey cavity enamel is both elegant and practical

Oven shelves and side racks are removable for quick and easy cleaning

Safety shelf racks enable inspection and movement shelves with hot food while preventing accidental ....?



### Distinctive Design

Metal controls cool to the touch and the refined "Milleluci" finish

Solid metal ergonomic handle for a comfortable door opening

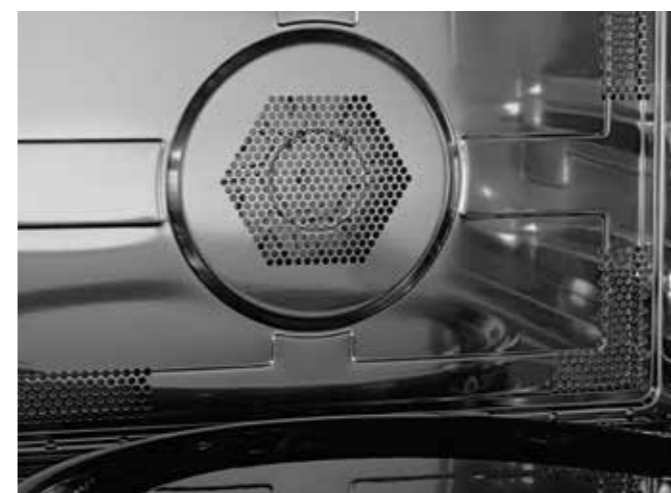
Choice of finishes to best suit your kitchen, from full black or mirror glass to brushed stainless steel

### Stainless steel finishes

Finger proof surface for a lasting clean look

Brushed stainless steel for a professional high quality finish

Uncompromising long lasting guaranteed quality



### Combi Microwave

Extra fast cooking thanks to the combination of traditional oven and microwaves cooking

The integrated "grill" enables perfect browning of foods once cooked

Perfect alignment and family line with the 76 Lt oven

Up to 44lt capacity to cater for all your guests



## Hobs



### Cast iron pan support

Pan supports are available in sturdy cast iron for users who like a professional style or enamelled steel for those whose preference is for lighter and easier to move supports

Optimized pan support design for maximum stability of pans that can be moved safely from burner side to side while cooking

The height of the pan supports is designed to guarantee maximum cooking efficiency reducing the cooking time

### Controls

The control knobs are made of cold touch solid metal in elegant "Milleluci" finish

Single hand ignition system, ignite and set gas level with one hand

New controls frontal layout easy to operate for an easy and precise use of each burner



### Power burner

Three different power levels from Dual WOK 5 Kw, to single WOK 4 Kw and the triple ring burner of 3.5Kw

The double ring WOK burner available in central or lateral position on the hob delivers up to 5Kw to bring large pans of water to the boil more rapidly

Powerful 4Kw Wok burners also on 60 and 70 cm models



### Monobloc burners

The new monobloc burners are an ingenious solution where the burner is all in one single piece for easy cleaning and reliable performance

The matt black finish of the monobloc burners together with the black cast iron pan supports and the black glass surface of the hob .... contemporary elegant look

The single pan supports sit perfectly on the monobloc burners for great stability and easy use



### Gas on metal hobs

The everlasting elegance of the stainless steel characterises the new hob collection available in three different widths 60, 75 and 90cm

The 60 and 75 cm hobs require the same cut out dimensions. This gives more flexibility when choosing the best option for your kitchen

### Gas on Glass hobs

The contrast between the glossy finish of the glass base and the matt finish of the burners and pan supports for a stylish and modern look

The 6mm toughened glass of the hob base contributes to a streamlined look while guaranteeing the ultimate heat protection

Refined details such as the chamfered front edge



### Induction hobs

Fast, precise and efficient, induction technology enables to cook in total safety and rapidity

The touch control flat ceramic surface is practical and easy to clean

All the induction hobs feature the booster option on each zone, the bridging function and up to 11 different power levels

## Hoods



### LED lights

The new hoods are equipped with LED lights for a reduced energy consumption and longer lasting performance

LED downlights on the hood deliver enhanced illumination so as to cook on the hob in maximum comfort

### Power and Practicality

The hood provides filtration and extraction up to 800 m<sup>3</sup>/h resulting in clean and odour free air

All primary mesh filters are removable and can be cleaned in the dishwasher



### Modern design

The refined "Total Black" glass design of this angled hood, adds glamour to your kitchen

The perimetral extraction system of the angled hood conceals the filters behind a clean smooth elegant surface

Easy to use touch controls enable to set the extraction level required with a quick and simple operation



### Distinctive Design

The stylish combination of brushed steel with glass result in a hood design which suits both traditional and contemporary kitchens

The elegant T shape extractor combines modern style and functionality

Elegant metal cold touch controls in "Milleluci" finish enable a quick and accurate speed setting of the extractor



### A splash of colour

The classic everlasting finish in stainless steel is enriched by small details in red colour in the Modern Prima series

Design perfectly aligned with the style the La Germania free standing cookers



**La Germania cooking machines are designed for the modern integrated kitchen. They combine performance and function in different styles to suit different tastes.**

**Cookers with single-piece worktops are height adjustable to fit in to your kitchen surface perfectly. In addition, the Futura range includes contemporary style built-in ovens and hobs. A choice of matching ventilation systems and accessories completes the line-up.**

**Colors and Finishes**

Matt Finishes Americana Series



Glossy Finishes



**Oven Functions**

- Light
- Upper bake
- Bottom bake electric oven
- Gas burners for gas oven
- Bake
- Large grill
- Grill
- Bottom bake and grill
- Convection (electric ovens)
- Grill and fan
- Convection (electric ovens)
- Fan assisted gas (gas cookers)
- Convection bake
- Turbo / pizza
- Fan / defrosting gas oven
- Defrosting electric oven
- Fast preheat
- Turnspit and grill
- Combi-microwave
- Microwave and grill
- Combi-microwave and grill
- Combi-microwave and bottom bake
- ECO function (built-in oven 90cm)

Some oven functions are derived from the combined use of oven knobs. For a correct combination, please consult the instruction manual.

**Cookers Americana**

**A — Main Features**  
stainless-steel single-piece worktop, brass burners, 5 kW dual burner or induction zones, cast iron supports, fascia thermometer, stainless steel oven door, wide removable inner glass door, toe-kick panel, upstand

90X60 cm Gas worktop



90X60 cm Electric worktop



**B — Main Features**  
stainless-steel single-piece worktop, aluminum burners, 4 kW wok or 3,5 kW triple ring or induction zones, cast iron supports, fascia thermometer, stainless steel oven door, wide removable inner glass door, upstand

90X60 cm Gas worktop



90X60 cm Electric worktop



70X60 cm



60X60 cm



**C — Main Features**  
stamped stainless-steel worktop, aluminum burners, 4 kW wok or 3,5kW triple ring, light cast iron supports, analogic clock, U-shaped oven door, wide removable inner glass door, glass worktop lid or upstand

90X60 cm



80X50 cm



60X60 cm



60X50 cm



**D — Main Features**  
stamped stainless-steel worktop, aluminum burners, 4 kW wok burner or 3,5 triple ring, large section enamel pan support, minute minder, black glass oven door, wide removable inner glass door, glass worktop lid

90X60 cm



90X60 cm Storage compartment



80X50 cm



60X60 cm



60X50 cm



## Cookers Futura

**A — Main Features**  
stainless-steel single-piece worktop, brass burners, 5 kW dual burner or induction zones (3,5 kW for 70 or 60 cm), cast iron supports, fascia thermometer, black glass oven door trims, wide removable inner glass door, toe-kick panel, upstand



**B — Main Features**  
stainless-steel single-piece worktop, aluminum burners, 5 kW dual burner or induction zones (3,5 kW for 70 or 60 cm), cast iron supports, touch control programmer, fascia thermometer, wide removable inner glass door, upstand



**C — Main Features**  
stamped stainless-steel worktop, aluminum burners, 4 kW wok burner or 3,5 triple ring, light cast iron supports, electronic programmer, wide removable inner glass door, glass worktop lid



**D — Main Features**  
stamped stainless-steel worktop, aluminum burners, 4 kW wok burner or 3,5 triple ring, large section enamel pan support, minute minder, mirror finishing or black glass (90 cm) oven door, wide removable inner glass door, glass worktop lid



## Cookers Prima

**A — Main Features**  
stainless steel single-piece squared worktop, brass burners, 5 kW dual burner or induction zones, cast iron supports, fascia thermometer, stainless steel oven door, wide removable inner glass, upstand, toekick panel



**B — Main Features**  
stainless steel single-piece squared worktop, aluminum burners, 5 kW dual burner, cast iron supports, fascia thermometer, stainless steel oven door, wide removable inner glass, upstand, stainless steel legs



**C — Main Features**  
stainless steel single-piece pressed worktop, aluminum burners, 4 kW wok burner or 3,5 triple ring or induction zones, cast iron supports, analogic clock, stainless steel oven door, wide removable inner glass, glass worktop lid, matt nickel legs



**D — Main Features**  
stainless steel single-piece pressed worktop, aluminum burners, 4 kW wok burner or 3,5 triple ring, enamelled steel supports, minute minder, black or white glass oven door, wide removable inner glass, glass worktop lid, chromed legs



## Built-in Ovens Futura

### Built-in Ovens 60 cm

Full stopsol with stainless steel frame - LED display or end of cooking programmer - electric multifunction oven 5-9 settings or fan assisted gas oven

**F6O9LAGESXT**  
**F6O9LAGEKXT**



**F6O5LAGGKXT**



### Built-in Ovens 60 cm

Full stopsol or black glass - LED display or end of cooking programmer - electric multifunction oven 5 or 9 settings or fan assisted gas oven

**F6O9LAGESGS**  
**F6O9LAGESGN**



**F6O9LAGEKGS**  
**F6O9LAGEKGN**



**F6O5LAGEKGS**  
**F6O5LAGEKGN**  
**F6O5LAGGKGN**  
**F6O5LAGGKGS**



### Built-in Ovens 60 cm

Stainless steel control panel with stopsol glass oven door - LED display or end of cooking programmer - electric multifunction oven 5-9 settings

**F6O9LAGESX**



**F6O5LAGEKX**



**F6O5LAGGKX**



### Built-in ovens 90 cm

Stainless steel control panel with stopsol glass oven door or full black glass - electric multifunction 5-9 settings or fan assisted gas with gas grill

**F969LAGEKXT**  
**F969LAGEKGN**



**F969LAGEKXT/18**  
**F969LAGEKGN/18**



**F98OLAGGKX**  
**F98OLAGGKGN**



### Microwave 60x45 cm

Full stopsol with stainless steel frame combi microwave 9 settings - oven capacity 44 l - 13 auto cooking modes

**F45LAGMWSXT**



### Microwave 60x38 cm

Stainless steel finishes combi microwave 7 settings - oven capacity 25 l - 10 auto cooking modes

**F45CMWD9X**



## Built-in Hobs Futura

### Gas on metal hobs 90 cm

Cast iron pan supports with squared or round design - 5kw dual wok or 3,5kw triple ring - layout with lateral or central wok - metal knobs - frontal controls

**P9O5CLAGX**



**P9O5LLAGX**



**P9IOID9X**



**P9COID9XT**



**P95OID9XT**  
**P95OID9X**



### Gas on metal hobs 75 cm

Cast iron pan supports with squared or round design - 5kw dual wok or 3,5kw triple ring - layout with lateral or central wok - metal knobs - frontal controls

**P755CLAGX**



**P7IOID9X**



### Gas on metal hobs 60 cm

Cast iron pan supports with squared or round design - 3,5kw triple ring - metal knobs - frontal controls

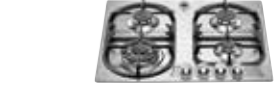
**P6O4LAGX**



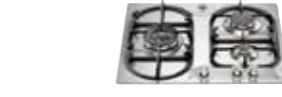
**P6O4LLAGX**



**P68OID9X**  
**P64OID9X**



**P65OID9XT**  
**P65OID9X**



### Gas on Glass hobs

90cm, 75cm and 60cm - 5kw dual wok, 4kw wok or 3,5 kw triple ring - matt black monobloc burners - single cast iron pan supports - metal knobs with "Milleluci" finishes - frontal controls - tempered black glass

**P9O5CLAGGN**



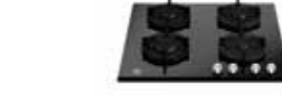
**P9O5LLAGGN**



**P755CLAGGN**



**P6O4LAGGN**



**P6O4LLAGN**



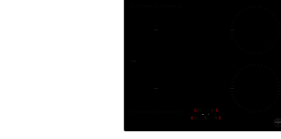
### Induction hobs

78cm and 60cm - 4 induction zones - up to 11 power levels - child lock - touch controls - timer - residual heat indicator - bevelled black glass

**P784ICIB2NE**



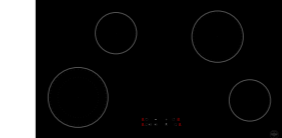
**P6O4ILAGCIGN**



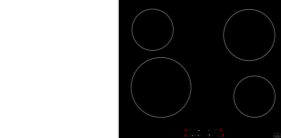
### Vitro ceramic hobs

90cm, 60cm and 30cm - 4 or 2 ceramic zones - up to 10 power levels - child lock - touch controls - timer - residual heat indicator - black glass

**P9O4CERLAGN**



**P6O4CERLAGN**



**P3O2CERLAGN**



## Hoods Americana

### Hoods

Hoods 90 and 60 cm - 1 motor - 3 speed - full stainless steel finishes or with canopy in 3 matt colours - 600 m3h - aluminum mesh filters - wallmount installation

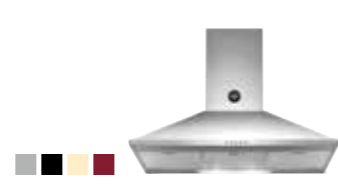
K90AMHXA



K60AMHXA



KPL90PLAGIXA



KPL60PLAGIXA



## Hoods Prima

### Hoods

Hoods 90 and 60 cm - 1 motor - 3 speed - stainless steel with red finishes - 600 m3h - aluminum mesh filters - wallmount installation

KPL90PLAGIXRA



KPL60PLAGIXRA



## Hoods Futura

### Hoods

90cm and 60cm - 1 motor and 3 speed - stainless and black glass finishes - island or wallmount installation - up to 800 m3h - up to 4 LED lights - aluminum mesh filters - metal knobs controls or electronic touch controls

K90TUKXA



K60TUKXA



K90ITUGXA  
K90TUGXA



K60TUGXA



### Hoods

90cm and 60cm - 1 motor and 4 speed - full stainless finishes - island or wallmount installation - up to 800 m3h - LED lights - aluminum mesh filters - electronic touch or push buttons controls

K90ITUXXA  
K90TUXXA



K60TUXXA



### Hoods

90cm - 1 motor and 3 speed + booster - full black glass finishes - wallmount installation - up to 720 m3h - 2 LED lights - aluminum mesh filters - full touch controls

KV9OLAGINB



### Hoods

90cm - 1 motor and 3 speed - stainless steel and glass finishes - wallmount or undercabinet installation - up to 600 m3h - LED or halogen lights - aluminum mesh filters - push buttons controls

K90ITUVXA



K90TUVXA



K90TUTX



### Hoods

90cm and 80cm - 1 motor and 3 speed - stainless steel or white finishes - undercabinet installation - up to 204 m3h - 1 LED light - aluminum panel filters - push buttons controls

K90TUSX  
K90TUSW



K80TUSX



K60TUSX





## Cookers

### Americana

#### 90x60 cm

#### AMS96C6IAX

##### 90x60 cm, 6 brass burners, electric ovens AX

X NE VI CR

#### Worktop

6 brass gas burners with lateral dual wok 5kw

stainless steel squared

cast iron pan supports

stainless steel upstand

soft touch knobs

flame failure device and one hand ignition

#### Oven Cavity

electric multifunction with electric grill - single fan

11 functions 

oven volume overall 103 lt - useful 85 lt, energy rating A

thermometer

triple inner oven door - removable inner glass

soft motion / soft closing door hinge

4 oven levels - 1 telescopic slide shelf

cooling fan

2 wire shelves, 1 deep tray, 1 grill mesh, 1 oven light

#### Bottom

storage compartment, toekick panel, stainless steel legs

electrical requirements 220/240V, 50/60Hz, 3500W

#### Option

available with 5 burners AMS95C6IAX

X NE VI CR

available with lateral dual wok AMS95L6IAX

X NE VI CR

available with double dual wok AMS96D6IAX

X NE VI CR

#### AMS96C6ILAX

##### 90x60 cm, 6 brass burners, electric ovens AX

X NE VI CR

#### Worktop

6 brass gas burners with lateral dual wok 5Kw

stainless steel squared

cast iron pan supports

stainless steel upstand

soft touch knobs

flame failure device and one hand ignition

#### Oven Cavity

electric multifunction with electric grill - double fan

11 functions 

oven volume overall 142 lt - useful 117 lt - energy rating A

thermometer

triple inner oven door - removable inner glass

soft motion and soft closing door hinge

5 oven levels - 1 telescopic slide shelf

cooling fan

2 wire shelves, 1 deep tray, 1 grill mesh, 1 or 2 oven light

#### Bottom

storage compartment, toekick panel, stainless steel legs

electrical requirements 220/240V, 50/60Hz, 3500W

#### Option

available with 5 burners AMS95C6ILAX

X NE VI CR

available with lateral dual wok AMS95L6ILAX

X NE VI CR

available with double dual wok AMS96D6ILAX

X NE VI CR

#### AMS9IND6IAX

##### 90x60 cm, 5 induction zones electric oven AX

X NE VI CR

#### Worktop

5 induction zones

stainless steel squared + black glass

booster on all zones

stainless steel upstand

soft touch knobs

one hand ignition

#### Oven Cavity

electric multifunction with electric grill - single fan

11 functions 

oven volume overall 103 lt - useful 85 lt - energy rating A

thermometer

triple inner oven door - removable inner glass

soft motion and soft closing door hinge

4 oven levels - 1 telescopic slide shelf

cooling fan

2 wire shelves, 1 deep tray, 1 grill mesh, 1 oven light

#### Bottom

storage compartment, toekick panel, stainless steel legs

electrical requirements 220/240V, 50/60Hz, 10900W

#### Option

available with oven cavity 142L AMS9IND6ILAX

X NE VI CR

#### AMS96C7IAX

##### 90x60 cm, 6 brass burners gas oven AX

X NE VI CR

#### Worktop

6 brass gas burners with lateral dual wok 5Kw

stainless steel squared

cast iron pan supports

stainless steel upstand

soft touch knobs

flame failure device and one hand ignition

#### Oven Cavity

gas fan assisted with electric grill - single or double fan

5 functions 

oven volume overall 142 lt - useful 117 lt - energy rating A+

thermometer

double inner oven door - removable inner glass

soft motion and soft closing door hinge

5 oven levels - 1 telescopic slide shelf

cooling fan optional

2 wire shelves, 1 deep tray, 1 grill mesh, 1 or 2 oven light

#### Bottom

storage compartment, toekick panel, stainless steel legs

electrical requirements 220/240V, 50/60Hz, 1800W

#### Option

available with 5 burners AMS95C7IAX

X NE VI CR

available with lateral dual wok AMS95L7IAX

X NE VI CR

available with double dual wok AMS96D7IAX

X NE VI CR



**AMS96C8IAX**  
90x60 cm, 6 brass burners gas oven AX

X NE VI CR

**Worktop**

6 brass gas burners with lateral dual wok 5Kw

stainless steel squared

cast iron pan supports

stainless steel upstand

soft touch knobs

flame failure device and one hand ignition

**Oven Cavity**

gas fan assisted with gas grill - single or double fan

5 functions

oven volume overall 142 lt - useful 117 lt - energy rating A+

thermometer

double inner oven door - removable inner glass

soft motion and soft closing door hinge

5 oven levels - 1 telescopic slide shelf

cooling fan optional

2 wire shelves, 1 deep tray, 1 grill mesh, 1 or 2 oven light

**Bottom**

storage compartment, toekick panel, stainless steel legs

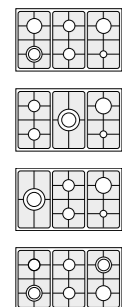
electrical requirements 220/240V, 50/60Hz, 94W

**Option**

available with 5 burners AMS95C8IAX  X  NE  VI  CR

available with lateral dual wok AMS95L8IAX  X  NE  VI  CR

available with double dual wok AMS96D8IAX  X  NE  VI  CR



**AMS95C6IBX**  
90x60 cm, 5 burners electric oven BX

X NE VI CR

**Worktop**

5 aluminum gas burners with lateral dual wok 5Kw

stainless steel squared

cast iron pan supports

stainless steel upstand

soft touch knobs

flame failure device and one hand ignition

**Oven Cavity**

electric multifunction with gas grill - single fan

11 functions

oven volume overall 103 lt - useful 85 lt - energy rating A

thermometer

triple inner oven door - removable inner glass

soft motion door hinge

4 oven levels

cooling fan

2 wire shelves, 1 deep tray, 1 grill mesh, 1 oven light

**Bottom**

storage compartment, stainless steel legs

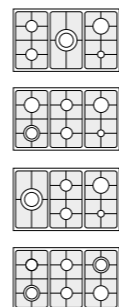
electrical requirements 220/240V, 50/60Hz, 3500W

**Option**

available with 6 burners AMS96C6IBX  X  NE  VI  CR

available with lateral dual wok AM95L6IBX  X  NE  VI  CR

available with double dual wok AMS96D6IAX  X  NE  VI  CR



**AMS95C6ILBX**  
90x60 cm, 5 burners electric oven BX

X NE VI CR

**Worktop**

5 aluminum gas burners with lateral dual wok 5Kw

stainless steel squared

cast iron pan supports

stainless steel upstand

soft touch knobs

flame failure device and one hand ignition

**Oven Cavity**

electric multifunction with electric grill - double fan

11 functions

oven volume overall 142 lt - useful 117 lt - energy rating A

thermometer

triple inner oven door - removable inner glass

soft motion door hinge

5 oven levels

cooling fan

2 wire shelves, 1 deep tray, 1 grill mesh, 1 or 2 oven light

**Bottom**

storage compartment, stainless steel legs

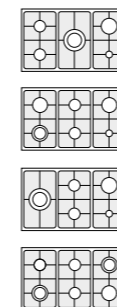
electrical requirements 220/240V, 50/60Hz, 3500W

**Option**

available with 6 burners AMS96C6ILBX  X  NE  VI  CR

available with lateral dual wok AM95L6ILBX  X  NE  VI  CR

available with double dual wok AMS96D6ILAX  X  NE  VI  CR



**AMS9CER6IBX**  
90x60 cm, 5 ceran zones electric oven BX

X NE VI CR

**Worktop**

5 electric zones

stainless steel squared + black glass

2 zones 1200W

2 zones 1100/2200W - 1 zone 700/1700W

soft touch knobs

one hand ignition

**Oven Cavity**

electric multifunction with electric grill - single fan

11 functions

oven volume overall 103 lt - useful 85 lt - energy rating A

analogic clock

triple inner oven door - removable inner glass

soft motion door hinge

4 oven levels

cooling fan

2 wire shelves, 1 deep tray, 1 grill mesh, 1 oven light

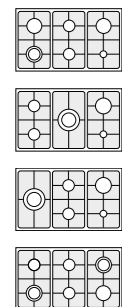
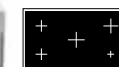
**Bottom**

storage compartment, matt nickel legs

electrical requirements 220/240V, 50/60Hz, 12000W

**Option**

available with oven cavity 142 L AMS9CER6IBX  X  NE  VI  CR



**AMS95C7IBX**  
90x60 cm, 5 burners gas oven BX

X NE VI CR

**Worktop**

5 aluminum gas burners with lateral dual wok 5Kw

stainless steel squared

cast iron pan supports

stainless steel upstand

soft touch knobs

flame failure device and one hand ignition

**Oven Cavity**

gas fan assisted with electric grill - single or double fan

5 functions

oven volume overall 142 lt - useful 117 lt - energy rating A+

thermometer

double inner oven door - removable inner glass

soft motion door hinge

5 oven levels

cooling fan optional

2 wire shelves, 1 deep tray, 1 grill mesh, 1 or 2 oven light

**Bottom**

storage compartment, stainless steel legs

electrical requirements 220/240V, 50/60Hz, 1800W

**Option**

available with 6 burners AM96C7IBX

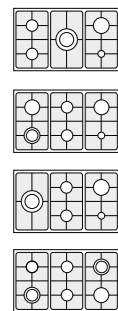
X NE VI CR

available with lateral dual wok AM95L7IBX

X NE VI CR

available with double dual wok AMS96D7IAX

X NE VI CR



**AMS95C8IBX**  
90x60 cm, 5 burners gas oven BX

X NE VI CR

**Worktop**

5 aluminum gas burners with lateral dual wok 5Kw

stainless steel squared

cast iron pan supports

stainless steel upstand

soft touch knobs

flame failure device and one hand ignition

**Oven Cavity**

gas fan assisted with gas grill - single or double fan

5 functions

oven volume overall 142 lt - useful 117 lt - energy rating A+

thermometer

double inner oven door - removable inner glass

soft motion door hinge

5 oven levels

cooling fan optional

2 wire shelves, 1 deep tray, 1 grill mesh, 1 or 2 oven light

**Bottom**

storage compartment, stainless steel legs

electrical requirements 220/240V, 50/60Hz, 94W

**Option**

available with 6 burners AM96C8IBX

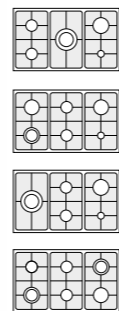
X NE VI CR

available with lateral dual wok AM95L8IBX

X NE VI CR

available with double dual wok AMS96D8IAX

X NE VI CR



**AMS95C6ICX**  
90x60 cm, 5 burners electric oven CX

X NE VI CR

**Worktop**

5 aluminum gas burners with central wok 4Kw

stainless steel pressed

cast iron pan supports

lid cover (available stainless steel upstand)

soft touch knobs

flame failure device and one hand ignition

**Oven Cavity**

electric multifunction with electric grill - single fan

11 functions

oven volume overall 103 lt - useful 85 lt - energy rating A

analogic clock

triple inner oven door - removable inner glass

soft motion door hinge

4 oven levels

cooling fan

2 wire shelves, 1 deep tray, 1 grill mesh, 1 oven light

**Bottom**

storage compartment, matt nickel legs

electrical requirements 220/240V, 50/60Hz, 3500W

**Option**

available with 6 burners AMS96C6ICX

X NE VI CR

available with lateral dual wok AMS95L6ICX

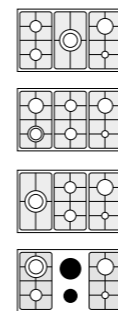
X NE VI CR

available with 2 electric hotplates AMS9426ICX

X NE VI CR

available with 1 electric hotplate AMS98I6ICX

X NE VI CR



**AMS95C6ILCX**  
90x60 cm, 5 burners electric oven CX

X NE VI CR

**Worktop**

5 aluminum gas burners with central wok 4Kw

stainless steel pressed

cast iron pan supports

lid cover (available stainless steel upstand)

soft touch knobs

flame failure device and one hand ignition

**Oven Cavity**

electric multifunction with electric grill - double fan

11 functions

oven volume overall 142 lt - useful 117 lt - energy rating A

analogic clock

triple inner oven door - removable inner glass

soft motion door hinge

5 oven levels

cooling fan

2 wire shelves, 1 deep tray, 1 grill mesh, 1 or 2 oven light

**Bottom**

storage compartment, matt nickel legs

electrical requirements 220/240V, 50/60Hz, 3500W

**Option**

available with 6 burners AMS96C6ILCX

X NE VI CR

available with lateral dual wok AMS95L6ILCX

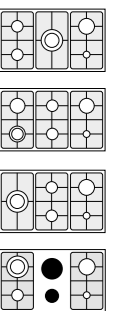
X NE VI CR

available with 2 electric hotplates AMS9426ILCX

X NE VI CR

available with 1 electric hotplate AMS98I6ILCX

X NE VI CR





**AMS95C7ICX**  
90x60 cm, 5 burners gas oven CX

X NE VI CR

**Worktop**

5 aluminum gas burners with central wok 4Kw

stainless steel pressed

cast iron pan supports

lid cover (available stainless steel upstand)

soft touch knobs

flame failure device and one hand ignition

**Oven Cavity**

gas fan assisted with gas grill - single or double fan

5 functions 

oven volume overall 142 lt - useful 117 lt - energy rating A+

analogic clock

double inner oven door - removable inner glass

soft motion door hinge

5 oven levels

cooling fan optional

2 wire shelves , 1 deep tray, 1 grill mesh, 1 or 2 oven light

**Bottom**

storage compartment, matt nickel legs

electrical requirements 220/240V, 50/60Hz, 1800W

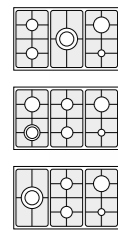
**Option**

available with 6 burners AMS96C7ICX

X NE VI CR

available with lateral dual wok AMS95L7ICX

X NE VI CR



**AMS95C8ICX**  
90x60 cm, 5 burners gas oven CX

X NE VI CR

**Worktop**

5 aluminum gas burners with central wok 4Kw

stainless steel squared

cast iron pan supports

lid cover (available stainless steel upstand)

soft touch knobs

flame failure device and one hand ignition

**Oven Cavity**

gas fan assisted with gas grill - single or double fan

5 functions 

oven volume overall 142 lt - useful 117 lt - energy rating A+

analogic clock

double inner oven door - removable inner glass

soft motion door hinge

5 oven levels

cooling fan optional

2 wire shelves , 1 deep tray, 1 grill mesh, 1 or 2 oven light

**Bottom**

storage compartment, matt nickel legs

electrical requirements 220/240V, 50/60Hz, 94W

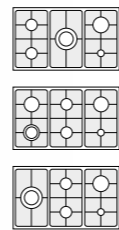
**Option**

available with 6 burners AMS96C8ICX

X NE VI CR

available with lateral dual wok AMS95L8ICX

X NE VI CR



**AMS95C6ILD**  
90x60 cm, 5 burners electric oven DX

X W

**Worktop**

5 aluminum gas burners with central wok 4Kw

stainless steel pressed

enamelled steel

lid cover

soft touch knobs

flame failure device and one hand ignition

**Oven Cavity**

electric multifunction with electric grill - double fan

11 functions 

oven volume overall 142 lt - useful 117 lt - energy rating A

minute minder

triple inner oven door - removable inner glass

soft motion door hinge

5 oven levels

cooling fan

2 wire shelves , 1 deep tray, 1 grill mesh, 1 or 2 oven light

**Bottom**

matt nickel legs

electrical requirements 220/240V, 50/60Hz, 3500W

**Option**

available with 6 burners AMS96C6ILD

X NE VI CR

available with lateral dual wok AMS95L6ILD

X NE VI CR

available with 2 electric hotplates AMS9426ILD

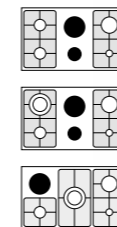
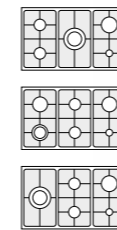
X NE VI CR

available with 2 electric hotplates AMS9826ILD

X NE VI CR

available with 1 electric hotplate AMS9816ILD

X NE VI CR



**AMS95C3ID**  
90x60 cm, 5 burners gas oven CX

X W

**Worktop**

5 aluminum gas burners with central wok 4Kw

stainless steel pressed

enamelled steel


lid cover

soft touch knobs

flame failure device and one hand ignition

**Oven Cavity**

gas with gas grill

3 functions 

oven volume overall 142 lt - useful 117 lt - energy rating A+

minute minder

double inner oven door - removable inner glass

soft motion door hinge

5 oven levels

1 wire shelf , 1 deep tray, 1 grill mesh, 1 or 2 oven light

**Bottom**

matt nickel legs

electrical requirements 220/240V, 50/60Hz, 56W

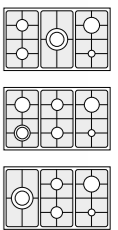
**Option**

available with 6 burners AMS96C7ID

X NE VI CR

available with lateral dual wok AMS95L7ID

X NE VI CR



**AMS95C2IDX**  
**90x60 cm, 5 burners gas oven CX**
 X  W

**Worktop**

5 aluminum gas burners with central wok 4Kw

stainless steel pressed

enamelled steel

lid cover

soft touch knobs

flame failure device and one hand ignition

**Oven Cavity**

gas with electric grill

3 functions   

oven volume overall 142 lt - useful 117 lt - energy rating A+

minute minder

double inner oven door - removable inner glass

soft motion door hinge

5 oven levels

1 wire shelf, 1 deep tray, 1 grill mesh, 1 or 2 oven light

**Bottom**

chromed legs

electrical requirements 220/240V, 50/60Hz, 1800W

**Option**

available with 6 burners AMS96C3IDX

 X  NE  VI  CR

available with lateral dual wok AMS95L3IDX

 X  NE  VI  CR

**90x60 cm storage compart.**
**AMP5C3IDX**  
**90x60 cm, 5 burners gas oven gas grill, storage compartment DX**
 X  W

**Worktop**

5 aluminum gas burners with central triple ring 3,5Kw

stainless steel pressed

enamelled steel

lid cover

soft touch knobs

flame failure device and one hand ignition

**Oven Cavity**

gas with gas grill

3 functions   

oven volume overall 69 lt - useful 56 lt - energy rating A+

minute minder

double inner oven door

standard door hinge

5 oven levels

1 wire shelf, 1 deep tray, 1 grill mesh, 1 oven light

**Bottom**

matt nickel legs

electrical requirements 220/240V, 50/60Hz, 56W


**AMP5C2IDX**  
**90x60 cm, 5 burners gas oven electric grill, storage compartment DX**
 X  W

**Worktop**

5 aluminum gas burners with central triple ring 3,5Kw

stainless steel pressed

enamelled steel

lid cover

soft touch knobs

flame failure device and one hand ignition

**Oven Cavity**

gas with electric grill

3 functions   

oven volume overall 69 lt - useful 56 lt - energy rating A+

minute minder

double inner oven door

standard door hinge

5 oven levels

1 wire shelf, 1 deep tray, 1 grill mesh, 1 oven light

**Bottom**

matt nickel legs

electrical requirements 220/240V, 50/60Hz, 1800W



**AMP5C4IDX**  
**90x60 cm, 5 burners electric oven, storage compartment DX**

X W

**Worktop**

5 aluminum gas burners with central triple ring 3,5Kw

stainless steel pressed

enamelled steel

lid cover

soft touch knobs

flame failure device and one hand ignition

**Oven Cavity**

electric with electric grill

5 functions

oven volume overall 69 lt - useful 56 lt - energy rating A

minute minder

double inner oven door

standard door hinge

5 oven levels

1 wire shelf, 1 deep tray, 1 grill mesh, 1 oven light

**Bottom**

legs

electrical requirements 220/240V, 50/60Hz, 2200W

**Option**

available with 1 electric hotplate AMP414IDX

X W

available with 2 electric hotplates AMP424IDX

X W



**80x50 cm**

**AM85C6ICX**  
**80x50 cm, 5 burners electric oven CX**

X NE VI CR

**Worktop**

5 aluminum gas burners with central triple ring 3,5Kw

stainless steel pressed

enamelled steel

lid cover (available stainless steel upstand)

soft touch knobs

flame failure device and one hand ignition

**Oven Cavity**

electric multifunction with electric grill - single fan

9 functions

oven volume overall 92 lt - useful 75 lt - energy rating A

analogic clock

double inner oven door - removable inner glass

standard door hinge

5 oven levels

cooling fan optional

2 wire shelves, 1 deep tray, 1 grill mesh, 1 oven light

**Bottom**

matt nickel legs

electrical requirements 220/240V, 50/60Hz, 2800W

**Option**

available with 2 electric hotplates AM8426ICX

X NE VI CR



**AM85C7ICX**  
**80x50 cm, 5 burners gas oven CX**

X NE VI CR

**Worktop**

5 aluminum gas burners with central triple ring 3,5Kw

stainless steel pressed

enamelled steel

lid cover (available stainless steel upstand)

soft touch knobs

flame failure device and one hand ignition

**Oven Cavity**

gas fan assisted with electric grill

5 functions

oven volume overall 92 lt - useful 75 lt - energy rating A

analogic clock

double inner oven door - removable inner glass

standard door hinge

5 oven levels

2 wire shelves, 1 deep tray, 1 grill mesh, 1 oven light

**Bottom**

matt nickel legs

electrical requirements 220/240V, 50/60Hz, 1500W



**AM85C81CX**  
80x50 cm, 5 burners gas oven, gas grill CX

X NE VI CR

**Worktop**

5 aluminum gas burners with central triple ring 3,5Kw

stainless steel pressed

enamelled steel

lid cover (available stainless steel upstand)

soft touch knobs

flame failure device and one hand ignition

**Oven Cavity**

gas fan assisted with gas grill

5 functions     

oven volume overall 92 lt - useful 75 lt - energy rating A

analogic clock

double inner oven door - removable inner glass

standard door hinge

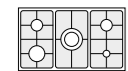
5 oven levels

2 wire shelves , 1 deep tray, 1 grill mesh, 1 oven light

**Bottom**

matt nickel legs

electrical requirements 220/240V, 50/60Hz, 56W



**AM85C41DX**  
80x50 cm, 5 burners electric oven DX

X W

**Worktop**

5 aluminum gas burners with central triple ring 3,5Kw

stainless steel pressed

enamelled steel

lid cover

soft touch knobs

flame failure device and one hand ignition

**Oven Cavity**

electric with electric grill

5 functions     

oven volume overall 92 lt - useful 75 lt - energy rating A

minute minder

double inner oven door

standard door hinge

5 oven levels

1 wire shelves , 1 deep tray, 1 grill mesh, 1 oven light

**Bottom**

chromed legs

electrical requirements 220/240V, 50/60Hz, 2200W

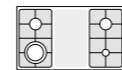
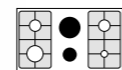
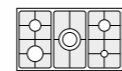
**Option**

available with 1 electric hotplate AM84241DX

X W

available with 4 gas burners AM84041DX

X W



**AM85C31DX**  
80x50 cm, 5 burners gas oven gas grill DX

X W

**Worktop**

5 aluminum gas burners with central triple ring 3,5Kw

stainless steel pressed

enamelled steel

lid cover

soft touch knobs

flame failure device and one hand ignition

**Oven Cavity**

gas with gas grill

3 functions   

oven volume overall 92 lt - useful 75 lt - energy rating A

minute minder

double inner oven door

standard door hinge

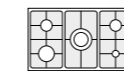
5 oven levels

1 wire shelves , 1 deep tray, 1 grill mesh, 1 oven light

**Bottom**

chromed legs

electrical requirements 220/240V, 50/60Hz, 30W



**AM85C21DX**  
80x50 cm, 5 burners gas oven DX

X W

**Worktop**

5 aluminum gas burners with central triple ring 3,5Kw

stainless steel pressed

enamelled steel

lid cover

soft touch knobs

flame failure device and one hand ignition

**Oven Cavity**

gas with electric grill

3 functions   

oven volume overall 92 lt - useful 75 lt - energy rating A

minute minder

double inner oven door

standard door hinge

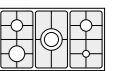
5 oven levels

1 wire shelves , 1 deep tray, 1 grill mesh, 1 oven light

**Bottom**

chromed legs

electrical requirements 220/240V, 50/60Hz, 1500W





## 70x60 cm

**AM75C6IBX**  
**70x60 cm, 5 burners electric oven BX**

X

**Worktop**

5 aluminum gas burners with triple ring 3,5Kw

stainless steel squared

cast iron pan supports

stainless steel upstand

soft touch knobs

flame failure device and one hand ignition

**Oven Cavity**

electric multifunction with electric grill - single fan

9 functions 

oven volume overall 69 lt - useful 56 lt - energy rating A

thermometer

triple inner oven door - removable inner glass

standard door hinge

5 oven levels

cooling fan optional

2 wire shelves, 1 deep tray, 1 grill mesh, 1 oven light

**Bottom**

stainless steel legs

electrical requirements 220/240V, 50/60Hz, 2900W

**AM75C7IBX**  
**70x60 cm, 5 burners gas oven BX**

X

**Worktop**

5 aluminum gas burners with triple ring 3,5Kw

stainless steel squared

cast iron pan supports

stainless steel upstand

soft touch knobs

flame failure device and one hand ignition

**Oven Cavity**

gas fan assisted with electric grill

5 functions 

oven volume overall 69 lt - useful 56 lt - energy rating A +

thermometer

triple inner oven door - removable inner glass

standard door hinge

5 oven levels

cooling fan optional

2 wire shelves, 1 deep tray, 1 grill mesh, 1 oven light

**Bottom**

stainless steel legs

electrical requirements 220/240V, 50/60Hz, 1500W

## 60x60 cm

**AM64C6IBX**  
**60x60 cm, 4 burners electric oven BX**

X

NE

VI

CR

**Worktop**

4 aluminum gas burners with triple ring 3,5Kw

stainless steel squared

cast iron pan supports

stainless steel upstand

soft touch knobs

flame failure device and one hand ignition

**Oven Cavity**

electric multifunction with electric grill - single fan

9 functions 

oven volume overall 69 lt - useful 56 lt - energy rating A

thermometer

triple inner oven door - removable inner glass

standard door hinge

5 oven levels

cooling fan optional

2 wire shelves, 1 deep tray, 1 grill mesh, 1 oven light

**Bottom**

stainless steel legs

electrical requirements 220/240V, 50/60Hz, 2900W

**AM64C7IBX**  
**60x60 cm, 4 burners gas oven BX**

X

NE

VI

CR

**Worktop**

4 aluminum gas burners with triple ring 3,5Kw

stainless steel squared

cast iron pan supports

stainless steel upstand

soft touch knobs

flame failure device and one hand ignition

**Oven Cavity**

gas fan assisted with electric grill

5 functions 

oven volume overall 69 lt - useful 56 lt - energy rating A

thermometer

triple inner oven door - removable inner glass

standard door hinge

5 oven levels

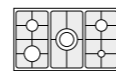
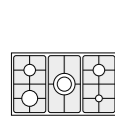
cooling fan optional

2 wire shelves, 1 deep tray, 1 grill mesh, 1 oven light


**Bottom**

stainless steel legs

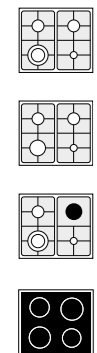
electrical requirements 220/240V, 50/60Hz, 1500W




**AM64C6ICX**  
**60x60 cm, 4 burners electric oven CX**  
 X  NE  VI  CR

- Worktop**
- 4 aluminum gas burners with triple ring 3,5Kw
  - stainless steel pressed
  - cast iron pan supports
  - lid cover (available stainless steel upstand)
  - soft touch knobs
  - flame failure device and one hand ignition
- Oven Cavity**
- electric multifunction with electric grill - single fan
  - 9 functions 
  - oven volume overall 69 lt - useful 56 lt - energy rating A
  - analogick clock
  - triple inner oven door - removable inner glass
  - standard door hinge
  - 5 oven levels
  - cooling fan optional
  - 2 wire shelves , 1 deep tray, 1 grill mesh, 1 oven light
- Bottom**
- storage compartment, matt nickel legs
  - electrical requirements 220/240V, 50/60Hz, 2900W

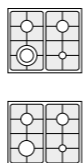
- Option**
- available with 4 burners AM64O6ICX  X  NE  VI  CR
  - available with 1 electric hotplate AM65I6ICX  X  NE  VI  CR
  - available with 4 radiant zones AM6OE6OCX  X  NE  VI  CR




**AM64C7ICX**  
**60x60 cm, 4 burners gas oven CX**  
 X  NE  VI  CR

- Worktop**
- 4 aluminum gas burners with triple ring 3,5Kw
  - stainless steel pressed
  - cast iron pan supports
  - lid cover (available stainless steel upstand)
  - soft touch knobs
  - flame failure device and one hand ignition
- Oven Cavity**
- gas fan assisted with electric grill
  - 5 functions 
  - oven volume overall 69 lt - useful 56 lt - energy rating A+
  - analogick clock
  - triple inner oven door - removable inner glass
  - standard door hinge
  - 5 oven levels
  - cooling fan optional
  - 2 wire shelves , 1 deep tray, 1 grill mesh, 1 oven light
- Bottom**
- storage compartment, matt nickel legs
  - electrical requirements 220/240V, 50/60Hz, 1500W

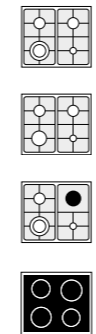
- Option**
- available with 4 burners AM64O7ICX  X  NE  VI  CR




**AM64O5IDX**  
**60x60 cm, 4 burners electric oven DX**  
 X  W

- Worktop**
- 4 aluminum gas burners
  - stainless steel pressed
  - enamelled steel
  - lid cover
  - soft touch knobs
  - flame failure device and one hand ignition
- Oven Cavity**
- electric multifunction with electric grill
  - 5 functions 
  - oven volume overall 69 lt - useful 56 lt - energy rating A
  - minute minder
  - double inner oven door
  - standard door hinge
  - 5 oven levels
  - 1 wire shelves , 1 deep tray, 1 grill mesh, 1 oven light
- Bottom**
- chromed legs
  - electrical requirements 220/240V, 50/60Hz, 2200W

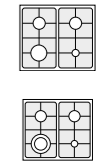
- Option**
- available with triple ring AM64C5IDX  X  W
  - available with 1 electric hotplate AM65I5IDX  X  W
  - available with 4 radiant zones AM6OE5ODX  X  W



**AM64O3IDX**  
**60x60 cm, 4 burners gas oven gas grill DX**  
 X  W

- Worktop**
- 4 aluminum gas burners
  - stainless steel pressed
  - enamelled steel
  - lid cover
  - soft touch knobs
  - flame failure device and one hand ignition
- Oven Cavity**
- gas with gas grill
  - 3 functions 
  - oven volume overall 69 lt - useful 56 lt - energy rating A+
  - minute minder
  - double inner oven door
  - standard door hinge
  - 5 oven levels
  - 1 wire shelves , 1 deep tray, 1 grill mesh, 1 oven light
- Bottom**
- chromed legs
  - electrical requirements 220/240V, 50/60Hz, 30W

- Option**
- available with triple ring AM64C3IDX  X  W



**AM6402IDX**  
**60x60 cm, 4 burners gas oven DX**

X W

**Worktop**

4 aluminum gas burners

stainless steel pressed

enamelled steel

lid cover

soft touch knobs

flame failure device and one hand ignition

**Oven Cavity**

gas with electric grill

3 functions 

oven volume overall 69 lt - useful 56 lt - energy rating A+

minute minder

double inner oven door

standard door hinge

5 oven levels

1 wire shelves, 1 deep tray, 1 grill mesh, 1 oven light

**Bottom**

chromed legs

electrical requirements 220/240V, 50/60Hz, 1500W

**Option**

available with triple ring AM64C2IDX

X W



**60x50 cm**

**AM1406ICX**  
**60x50 cm, 4 burners electric oven CX**

X

**Worktop**

4 aluminum gas burners

stainless steel pressed

cast iron pan supports

lid cover

soft touch knobs

flame failure device and one hand ignition

**Oven Cavity**

electric multifunction with electric grill - single fan

9 functions 

oven volume overall 69 lt - useful 56 lt - energy rating A

analogick clock

triple inner oven door - removable inner glass

standard door hinge

5 oven levels

cooling fan optional

2 wire shelves, 1 deep tray, 1 grill mesh, 1 oven light

**Bottom**

storage compartment, matt nickel legs

electrical requirements 220/240V, 50/60Hz, 2900W



**AM1407ICX**  
**60x50 cm, 4 burners gas oven CX**

X

**Worktop**

4 aluminum gas burners

stainless steel pressed

cast iron pan supports

lid cover

soft touch knobs

flame failure device and one hand ignition

**Oven Cavity**

gas fan assisted with electric grill

5 functions 

oven volume overall 69 lt - useful 56 lt - energy rating A

analogick clock

triple inner oven door - removable inner glass

standard door hinge

5 oven levels

cooling fan optional

2 wire shelves, 1 deep tray, 1 grill mesh, 1 oven light

**Bottom**

storage compartment, matt nickel legs

electrical requirements 220/240V, 50/60Hz, 1500W



**AM1405IDX**  
60x50 cm, 4 burners electric oven DX

X W

**Worktop**

4 aluminum gas burners

stainless steel pressed

enamelled steel

lid cover

soft touch knobs

flame failure device and one hand ignition

**Oven Cavity**

electric multifunction with electric grill

5 functions     

oven volume overall 69 lt - useful 56 lt - energy rating A+

minute minder

double inner oven door

standard door hinge

5 oven levels

1 wire shelves, 1 deep tray, 1 grill mesh, 1 oven light

**Bottom**

chromed legs

electrical requirements 220/240V, 50/60Hz, 2200W

**AM1403IDX**  
60x50 cm, 4 burners gas oven gas grill DX

X W

**Worktop**

4 aluminum gas burners

stainless steel pressed

enamelled steel

lid cover

soft touch knobs

flame failure device and one hand ignition

**Oven Cavity**

gas with gas grill

3 functions   

oven volume overall 69 lt - useful 56 lt - energy rating A+

minute minder

double inner oven door

standard door hinge

5 oven levels

1 wire shelves, 1 deep tray, 1 grill mesh, 1 oven light

**Bottom**

chromed legs

electrical requirements 220/240V, 50/60Hz, 30W

**AM1402IDX**  
60x50 cm, 4 burners gas oven DX

X W

**Worktop**

4 aluminum gas burners

stainless steel pressed

enamelled steel

lid cover

soft touch knobs

flame failure device and one hand ignition

**Oven Cavity**

gas with electric grill

3 functions   

oven volume overall 69 lt - useful 56 lt - energy rating A+

minute minder

double inner oven door

standard door hinge

5 oven levels

1 wire shelves, 1 deep tray, 1 grill mesh, 1 oven light

**Bottom**

chromed legs

electrical requirements 220/240V, 50/60Hz, 1500W





## Cookers

### Futura

#### 90x60 cm

#### TUS96C61AX 90x60 cm, 6 brass burners electric oven AX

x

##### Worktop

6 brass gas burners with lateral dual wok 5Kw

stainless steel squared worktop - black glass control panel

cast iron pan supports

stainless steel upstand

metal coated knobs "Milleluci" finishes

flame failure device and one hand ignition

##### Oven Cavity

electric multifunction with electric grill - single fan

11 functions 

oven volume overall 103 lt - useful 85 lt - energy rating A

thermometer

triple inner oven door - removable inner glass

soft motion and soft closing door hinge

4 oven levels - 1 telescopic slide shelf

cooling fan

2 wire shelves, 1 deep tray, 1 grill mesh, 1 oven light

##### Bottom

storage compartment, toekick panel, stainless steel legs

electrical requirements 220/240V, 50/60Hz, 3500W

##### Option

available with 5 burners TUS95C61AX

x

available with lateral dual wok TUS95L61AX

x

available with double dual wok TUS96D61AX

x

#### TUS96C61LAX 90x60 cm, 6 brass burners electric oven AX

x

##### Worktop

6 brass gas burners with lateral dual wok 5Kw

stainless steel squared worktop - black glass control panel

cast iron pan supports

stainless steel upstand

metal coated knobs "Milleluci" finishes

flame failure device and one hand ignition

##### Oven Cavity

electric multifunction with electric grill - double fan

11 functions 

oven volume overall 142 lt - useful 117 lt - energy rating A

thermometer

triple inner oven door - removable inner glass

soft motion and soft closing door hinge

5 oven levels - 1 telescopic slide shelf

cooling fan

2 wire shelves, 1 deep tray, 1 grill mesh, 1 or 2 oven light

##### Bottom

storage compartment, toekick panel, stainless steel legs

electrical requirements 220/240V, 50/60Hz, 3500W

##### Option

available with 5 burners TUS95C61LAX

x

available with lateral dual wok TUS95L61LAX

x

available with double dual wok TUS96D61LAX

x

#### TUS9IND61AX 90x60 cm, 5 induction electric oven BX

x

##### Worktop

5 induction zones

stainless steel squared + black glass - black glass control panel

booster on all zones

stainless steel upstand

metal coated knobs "Milleluci" finishes

one hand ignition

##### Oven Cavity

electric multifunction with electric grill - single fan

11 functions 

oven volume overall 103 lt - useful 85 lt - energy rating A

touch control programmer

triple inner oven door - removable inner glass

soft motion and soft closing door hinge

4 oven levels - 1 telescopic slide shelf

cooling fan

2 wire shelves, 1 deep tray, 1 grill mesh, 1 oven light

##### Bottom

storage compartment, toekick panel, stainless steel legs

electrical requirements 220/240V, 50/60Hz, 10900W

##### Option

available with oven cavity 142 L TUS9IND61AXL

x

#### TUS96C71AX 90x60 cm, 6 brass burners gas oven AX

x

##### Worktop

6 brass gas burners with lateral dual wok 5Kw

stainless steel squared worktop - black glass control panel

cast iron pan supports

stainless steel upstand

metal coated knobs "Milleluci" finishes

flame failure device and one hand ignition

##### Oven Cavity

gas fan assisted with electric grill - single or double fan

5 functions 

oven volume overall 142 lt - useful 117 lt - energy rating A+

thermometer

double inner oven door - removable inner glass

soft motion and soft closing door hinge

5 oven levels - 1 telescopic slide shelf

cooling fan optional

2 wire shelves, 1 deep tray, 1 grill mesh, 1 or 2 oven light

##### Bottom

storage compartment, toekick panel, stainless steel legs

electrical requirements 220/240V, 50/60Hz, 1800W

##### Option

available with 5 burners TUS95C71AX

x

available with lateral dual wok TUS95L71AX

x

available with double dual wok TUS96D71AX

x



**TUS96C8IAX**  
**90x60 cm, 6 brass burners gas oven AX**

x

**Worktop**

6 brass gas burners with lateral dual wok 5Kw

stainless steel squared worktop - black glass control panel

cast iron pan supports

stainless steel upstand

metal coated knobs "Milleluci" finishes

flame failure device and one hand ignition

**Oven Cavity**

gas fan assisted with gas grill - single or double fan

5 functions 

oven volume overall 142 lt - useful 117 lt - energy rating A+

thermometer

double inner oven door - removable inner glass

soft motion and soft closing door hinge

5 oven levels - 1 telescopic slide shelf

cooling fan optional

2 wire shelves, 1 deep tray, 1 grill mesh, 1 or 2 oven light

**Bottom**

storage compartment, toekick panel, stainless steel legs

electrical requirements 220/240V, 50/60Hz, 94W

**Option**

available with 5 burners TUS95C8IAX

x

available with lateral dual wok TUS95L8IAX

x

available with double dual wok TUS96D8IAX

x

**TUS95C6IBX**  
**90x60 cm, 5 burners electric oven BX**

x

**Worktop**

5 aluminum gas burners with lateral dual wok 5Kw

stainless steel squared worktop - black glass control panel

cast iron pan supports

stainless steel upstand

metal coated knobs "Milleluci" finishes

flame failure device and one hand ignition

**Oven Cavity**

electric multifunction with electric grill - single fan

11 functions 

oven volume overall 103 lt - useful 85 lt - energy rating A

touch control programmer

triple inner oven door - removable inner glass

soft motion door hinge

4 oven levels

cooling fan

2 wire shelves, 1 deep tray, 1 grill mesh, 1 oven light

**Bottom**

storage compartment, stainless steel legs

electrical requirements 220/240V, 50/60Hz, 3500W

**Option**

available with 6 burners TUS96C6IBX

x

available with lateral dual wok TUS95L6IAX

x

available with double dual wok TUS96D6IBX

x

**TUS95C6ILBX**  
**90x60 cm, 5 burners electric oven BX**

x

**Worktop**

5 aluminum gas burners with lateral dual wok 5Kw

stainless steel squared worktop - black glass control panel

cast iron pan supports

stainless steel upstand

metal coated knobs "Milleluci" finishes

flame failure device and one hand ignition

**Oven Cavity**

electric multifunction with electric grill - double fan

11 functions 

oven volume overall 142 lt - useful 117 lt - energy rating A

touch control programmer

triple inner oven door - removable inner glass

soft motion door hinge

5 oven levels

cooling fan

2 wire shelves, 1 deep tray, 1 grill mesh, 1 or 2 oven light

**Bottom**

storage compartment, stainless steel legs

electrical requirements 220/240V, 50/60Hz, 3500W

**Option**

available with 6 burners TUS96C6ILBX

x

available with lateral dual wok TUS95L6IAX

x

available with double dual wok TUS96D6ILBX

x

**TUS9CER6IBX**  
**90x60 cm, 5 ceramic zones electric oven CX**

x

**Worktop**

5 electric zones

stainless steel squared + black glass - black glass control panel

2 zones 1200W

2 zones 1100/2200W - 1 zone 700/1700W

metal coated knobs "Milleluci" finishes

one hand ignition

**Oven Cavity**

electric multifunction with electric grill - single fan

11 functions 

oven volume overall 103 lt - useful 85 lt - energy rating A

touch control programmer

triple inner oven door - removable inner glass

soft motion door hinge

4 oven levels

cooling fan

2 wire shelves, 1 deep tray, 1 grill mesh, 1 oven light

**Bottom**

storage compartment, stainless steel legs


electrical requirements 220/240V, 50/60Hz, 12000W

**Option**

available with oven cavity 142 L TUS9CER6ILBX

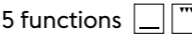
x




<b>TUS96C7IBX</b> 90x60 cm, 6 burners gas oven BX
X
<b>Worktop</b>
6 aluminum gas burners with lateral dual wok 5Kw
stainless steel squared worktop - black glass control panel
cast iron pan supports
stainless steel upstand
metal coated knobs "Milleluci" finishes
flame failure device and one hand ignition
<b>Oven Cavity</b>
gas fan assisted with electric grill - single or double fan
5 functions 
oven volume overall 142 lt - useful 117 lt - energy rating A+
thermometer
double inner oven door - removable inner glass
soft motion door hinge
5 oven levels
cooling fan optional
2 wire shelves , 1 deep tray, 1 grill mesh, 1 or 2 oven light
<b>Bottom</b>
storage compartment, stainless steel legs
electrical requirements 220/240V, 50/60Hz, 1800W

<b>Option</b>	
available with 5 burners TUS95C7IBX	X
available with lateral dual wok TUS95L7IAX	X
available with double dual wok TUS96D7IBX	X




<b>TUS96C8IBX</b> 90x60 cm, 6 burners gas oven BX
X
<b>Worktop</b>
6 aluminum gas burners with lateral dual wok 5Kw
stainless steel squared worktop - black glass control panel
cast iron pan supports
stainless steel upstand
metal coated knobs "Milleluci" finishes
flame failure device and one hand ignition
<b>Oven Cavity</b>
gas fan assisted with gas grill - single or double fan
5 functions 
oven volume overall 142 lt - useful 117 lt - energy rating A+
thermometer
triple inner oven door - removable inner glass
soft motion door hinge
5 oven levels
cooling fan optional
2 wire shelves , 1 deep tray, 1 grill mesh, 1 or 2 oven light
<b>Bottom</b>
storage compartment, stainless steel legs
electrical requirements 220/240V, 50/60Hz, 94W

<b>Option</b>	
available with 5 burners TUS95C8IBX	X
available with lateral dual wok TUS95L8IBX	X
available with double dual wok TUS96D8IBX	X


<b>TUS95C6ICX</b> 90x60 cm, 5 burners electric oven CX
X
<b>Worktop</b>
5 aluminum gas burners with central wok 4Kw
stainless steel pressed - stainless steel control panel
cast iron pan supports
lid cover
metal coated knobs "Milleluci" finishes
flame failure device and one hand ignition
<b>Oven Cavity</b>
electric multifunction with electric grill - single fan
11 functions 
oven volume overall 103 lt - useful 85 lt - energy rating A
touch control clock
triple inner oven door - removable inner glass
soft motion door hinge
4 oven levels
cooling fan
2 wire shelves , 1 deep tray, 1 grill mesh, 1 oven light
<b>Bottom</b>
storage compartment, matt nickel legs
electrical requirements 220/240V, 50/60Hz, 3500W


<b>Option</b>	
available with 6 burners TUS96C6ICX	X
available with lateral dual wok TUS95L6ICX	X
available with 2 electric hotplates TUS9426ICX	X
available with 2 electric hotplates TUS9826ICX	X
available with 1 electric hotplate TUS9816ICX	X




<b>TUS95C6ILCX</b> 90x60 cm, 5 burners electric oven CX
X
<b>Worktop</b>
5 aluminum gas burners with central wok 4Kw
stainless steel pressed - stainless steel control panel
cast iron pan supports
lid cover
metal coated knobs "Milleluci" finishes
flame failure device and one hand ignition
<b>Oven Cavity</b>
electric multifunction with electric grill - double fan
11 functions 
oven volume overall 142 lt - useful 117 lt - energy rating A
touch control clock
triple inner oven door - removable inner glass
soft motion door hinge
5 oven levels
cooling fan
2 wire shelves , 1 deep tray, 1 grill mesh, 1 or 2 oven light
<b>Bottom</b>
storage compartment, matt nickel legs
electrical requirements 220/240V, 50/60Hz, 3500W

<b>Option</b>	
available with 6 burners TUS96C6ILCX	X
available with lateral dual wok TUS95L6ILCX	X
available with 2 electric hotplates TUS9426ILCX	X
available with 2 electric hotplates TUS9826ILCX	X
available with 1 electric hotplate TUS9816ILCX	X

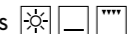
<b>TUS95C7ICX</b> 90x60 cm, 5 burners gas oven CX	<input checked="" type="checkbox"/>
<b>Worktop</b>	
5 aluminum gas burners with central wok 4Kw	
stainless steel pressed - stainless steel control panel	
cast iron pan supports	
lid cover	
metal coated knobs "Milleluci" finishes	
flame failure device and one hand ignition	
<b>Oven Cavity</b>	
gas fan assisted with electric grill - single or double fan	
5 functions 	
oven volume overall 142 lt - useful 117 lt - energy rating A+	
touch control clock	
double inner oven door - removable inner glass	
soft motion door hinge	
5 oven levels	
cooling fan optional	
2 wire shelves , 1 deep tray, 1 grill mesh, 1 or 2 oven light	
<b>Bottom</b>	
storage compartment, matt nickel legs	
electrical requirements 220/240V, 50/60Hz, 1800W	
<b>Option</b>	
available with 6 burners TUS96C7ICX	<input checked="" type="checkbox"/>
available with lateral dual wok TUS95L7ICX	<input checked="" type="checkbox"/>

<b>TUS95C8ICX</b> 90x60 cm, 5 burners gas oven CX	<input checked="" type="checkbox"/>
<b>Worktop</b>	
5 aluminum gas burners with central wok 4Kw	
stainless steel pressed - stainless steel control panel	
cast iron pan supports	
stainless steel upstand	
metal coated knobs "Milleluci" finishes	
flame failure device and one hand ignition	
<b>Oven Cavity</b>	
gas fan assisted with gas grill - single or double fan	
5 functions 	
oven volume overall 142 lt - useful 117 lt - energy rating A+	
touch control clock	
double inner oven door - removable inner glass	
soft motion door hinge	
5 oven levels	
cooling fan optional	
2 wire shelves , 1 deep tray, 1 grill mesh, 1 or 2 oven light	
<b>Bottom</b>	
storage compartment, matt nickel legs	
electrical requirements 220/240V, 50/60Hz, 94W	
<b>Option</b>	
available with 6 burners TUS96C7ICX	<input checked="" type="checkbox"/>
available with lateral dual wok TUS95L8ICX	<input checked="" type="checkbox"/>



<b>TUS95C6ILD</b> 90x60 cm, 5 burners electric oven DX	<input checked="" type="checkbox"/>
<b>Worktop</b>	
5 aluminum gas burners with central wok 4Kw	
stainless steel pressed - stainless steel control panel	
enamelled steel	
lid cover	
metal coated knobs Matt finishes	
flame failure device and one hand ignition	
<b>Oven Cavity</b>	
electric multifunction with electric grill - double fan	
11 functions 	
oven volume overall 142 lt - useful 117 lt - energy rating A	
minute minder	
triple inner oven door - removable inner glass	
soft motion door hinge	
5 oven levels	
cooling fan	
2 wire shelves , 1 deep tray, 1 grill mesh, 1 or 2 oven light	
<b>Bottom</b>	
matt nickel legs	
electrical requirements 220/240V, 50/60Hz, 3500W	
<b>Option</b>	
available with 6 burners TUS96C6ILD	<input checked="" type="checkbox"/>
available with lateral dual wok TUS95L6ILD	<input checked="" type="checkbox"/>
available with 2 electric hotplates TUS9426ILD	<input checked="" type="checkbox"/>
available with 2 electric hotplates TUS9826ILD	<input checked="" type="checkbox"/>
available with 1 electric hotplate TUS9816ILD	<input checked="" type="checkbox"/>



<b>TUS95C2ID</b> 90x60 cm, 5 burners gas oven DX	<input checked="" type="checkbox"/>
<b>Worktop</b>	
5 aluminum gas burners with central wok 4Kw	
stainless steel pressed - stainless steel control panel	
enamelled steel	
lid cover	
metal coated knobs Matt finishes	
flame failure device and one hand ignition	
<b>Oven Cavity</b>	
gas with electric grill	
3 functions 	
oven volume overall 142 lt - useful 117 lt - energy rating A+	
minute minder	
double inner oven door - removable inner glass	
soft motion door hinge	
5 oven levels	
1 wire shelf , 1 deep tray, 1 grill mesh, 1 or 2 oven light	
<b>Bottom</b>	
matt nickel legs	
electrical requirements 220/240V, 50/60Hz, 1800W	
<b>Option</b>	
available with 6 burners TUS96C2ID	<input checked="" type="checkbox"/>
available with lateral dual wok TUS95L2ID	<input checked="" type="checkbox"/>





**TUS95C3IDX**  
**90x60 cm, 5 burners gas oven DX**

x

**Worktop**

5 aluminum gas burners with central wok 4Kw

stainless steel pressed - stainless steel control panel

enamelled steel

lid cover

metal coated knobs Matt finishes

flame failure device and one hand ignition

**Oven Cavity**

gas with gas grill

4 functions 

oven volume overall 142 lt - useful 117 lt - energy rating A+

minute minder

double inner oven door - removable inner glass

soft motion door hinge

5 oven levels

1 wire shelf, 1 deep tray, 1 grill mesh, 1 or 2 oven light

**Bottom**

matt nickel legs

electrical requirements 220/240V, 50/60Hz, 56W

**Option**

available with 6 burners TUS96C3IDX

x

available with lateral dual wok TUS95L3IDX

x


**90x60 cm storage compartment**
**TUP5C4IDX**  
**90x60 cm, 5 burners electric oven, storage compartment DX**

x

**Worktop**

5 aluminum gas burners with central triple ring 3,5Kw

stainless steel pressed - stainless steel control panel

enamelled steel

lid cover

metal coated knobs Matt finishes

flame failure device and one hand ignition

**Oven Cavity**

electric with electric grill

5 functions 

oven volume overall 69 lt - useful 56 lt - energy rating A

minute minder

double inner oven door

standard door hinge

5 oven levels

1 wire shelf, 1 deep tray, 1 grill mesh, 1 oven light

**Bottom**

matt nickel legs

electrical requirements 220/240V, 50/60Hz, 2200W

**Option**

available with 1 electric hotplate TUP816IDX

x

available with 2 electric hotplates TUP426IDX

x


**TUP5C3IDX**  
**90x60 cm, 5 burners gas oven gas grill, storage compartment DX**

x

**Worktop**

5 aluminum gas burners with central triple ring 3,5Kw

stainless steel pressed - stainless steel control panel

enamelled steel

lid cover

metal coated knobs Matt finishes

flame failure device and one hand ignition

**Oven Cavity**

gas with gas grill

3 functions 

oven volume overall 69 lt - useful 56 lt - energy rating A+

minute minder

double inner oven door

standard door hinge

5 oven levels

1 wire shelf, 1 deep tray, 1 grill mesh, 1 oven light

**Bottom**

matt nickel legs

electrical requirements 220/240V, 50/60Hz, 30W

**Option**

available with 1 electric hotplate TUP816IDX

x

available with 2 electric hotplates TUP426IDX

x



**TUP5C2IDX**  
**90x60 cm, 5 burners gas oven electric grill, storage compartment DX**

x

**Worktop**

5 aluminum gas burners with central triple ring 3,5Kw

stainless steel pressed - stainless steel control panel

enamelled steel

lid cover

metal coated knobs Matt finishes

flame failure device and one hand ignition

**Oven Cavity**

gas with electric grill

3 functions   

oven volume overall 69 lt - useful 56 lt - energy rating A+

minute minder

double inner oven door

standard door hinge

5 oven levels

1 wire shelf , 1 deep tray, 1 grill mesh, 1 oven light

**Bottom**

matt nickel legs

electrical requirements 220/240V, 50/60Hz, 1500W



## 80x50 cm

**TU85C6ICX**  
**80x50 cm, 5-burners electric oven CX**

x

**Worktop**

5 aluminum gas burners with central triple ring 3,5Kw

stainless steel pressed - stainless steel control panel

enamelled steel

lid cover (stainless steel upstand available)

metal coated knobs "Milleluci" finishes

flame failure device and one hand ignition

**Oven Cavity**

electric multifunction with electric grill - single fan

9 functions         

oven volume overall 92 lt - useful 75 lt - energy rating A

touch control clock

double inner oven door - removable inner glass

standard door hinge

5 oven levels

cooling fan optional

2 wire shelves , 1 deep tray, 1 grill mesh, 1 oven light

**Bottom**

matt nickel legs

electrical requirements 220/240V, 50/60Hz, 2800W

**Option**

available with 2 electric hotplates TU8426ICX

x



**TU85C7ICX**  
**80x50 cm, 5 burners gas oven CX**

x

**Worktop**

5 aluminum gas burners with central triple ring 3,5Kw

stainless steel pressed - stainless steel control panel

enamelled steel

lid cover (stainless steel upstand available)

metal coated knobs "Milleluci" finishes

flame failure device and one hand ignition

**Oven Cavity**

gas fan assisted with electric grill

5 functions     

oven volume overall 92 lt - useful 75 lt - energy rating A

minute minder

double inner oven door - removable inner glass

standard door hinge

5 oven levels

2 wire shelves , 1 deep tray, 1 grill mesh, 1 oven light

**Bottom**

matt nickel legs

electrical requirements 220/240V, 50/60Hz, 1500W



**TU85C81CX**  
 80x50 cm, 5 burners gas oven, gas grill CX

x

**Worktop**

5 aluminum gas burners with central triple ring 3,5Kw

stainless steel pressed - stainless steel control panel

enamelled steel

lid cover (stainless steel upstand available)

metal coated knobs "Milleluci" finishes

flame failure device and one hand ignition

**Oven Cavity**

gas fan assisted with gas grill

5 functions 

oven volume overall 92 lt - useful 75 lt - energy rating A

minute minder

double inner oven door - removable inner glass

standard door hinge

5 oven levels

2 wire shelves, 1 deep tray, 1 grill mesh, 1 oven light

**Bottom**

matt nickel legs

electrical requirements 220/240V, 50/60Hz, 56W

**TU85C41DX**  
 80x50 cm, 5 burners electric oven DX

x

**Worktop**

5 aluminum gas burners with central triple ring 3,5Kw

stainless steel pressed - stainless steel control panel

enamelled steel

lid cover

metal coated knobs Matt finishes

flame failure device and one hand ignition

**Oven Cavity**

electric with electric grill

5 functions 

oven volume overall 92 lt - useful 75 lt - energy rating A

minute minder

double inner oven door

standard door hinge

5 oven levels

1 wire shelves, 1 deep tray, 1 grill mesh, 1 oven light

**Bottom**

chromed legs

electrical requirements 220/240V, 50/60Hz, 2800W

**Option**available with 2 electric hotplates TU84241DX available with 4 gas burners TU84041DX 
**TU85C31DX**  
 80x50 cm, 5 burners gas oven gas grill DX

x

**Worktop**

5 aluminum gas burners with central triple ring 3,5Kw

stainless steel pressed - stainless steel control panel

enamelled steel

lid cover

metal coated knobs Matt finishes

flame failure device and one hand ignition

**Oven Cavity**

gas with gas grill

3 functions 

oven volume overall 92 lt - useful 75 lt - energy rating A

minute minder

double inner oven door

standard door hinge

5 oven levels

1 wire shelves, 1 deep tray, 1 grill mesh, 1 oven light

**Bottom**

chromed legs

electrical requirements 220/240V, 50/60Hz, 30W

**TU85C21DX**  
 80x50 cm, 5 burners gas oven DX

x

**Worktop**

5 aluminum gas burners with central triple ring 3,5Kw

stainless steel pressed - stainless steel control panel

enamelled steel

lid cover

metal coated knobs Matt finishes

flame failure device and one hand ignition

**Oven Cavity**

gas with electric grill

3 functions 

oven volume overall 92 lt - useful 75 lt - energy rating A

minute minder

double inner oven door

standard door hinge

5 oven levels

1 wire shelves, 1 deep tray, 1 grill mesh, 1 oven light

**Bottom**

chromed legs

electrical requirements 220/240V, 50/60Hz, 1500W



## 70x60 cm

**TU75C61AX**  
70x60 cm, 5 burners electric oven AX

x

**Worktop**

5 aluminum gas burners with triple ring 3,5Kw

stainless steel squared worktop - black glass control panel

cast iron pan supports

stainless steel upstand

metal coated knobs "Milleluci" finishes

flame failure device and one hand ignition

**Oven Cavity**

electric multifunction with electric grill - single fan

9 functions 

oven volume overall 69 lt - useful 56 lt - energy rating A

touch control programmer

triple inner oven door - removable inner glass

standard door hinge

5 oven levels

cooling fan optional

2 wire shelves , 1 deep tray, 1 grill mesh, 1 oven light

**Bottom**

toekick panel, stainless steel legs

electrical requirements 220/240V, 50/60Hz, 2900W

**TU75C71AX**  
70x60 cm, 5 burners gas oven AX

x

**Worktop**

5 aluminum gas burners with triple ring 3,5Kw

stainless steel squared worktop - black glass control panel

cast iron pan supports

stainless steel upstand

metal coated knobs "Milleluci" finishes

flame failure device and one hand ignition

**Oven Cavity**

gas fan assisted with electric grill

5 functions 

oven volume overall 69 lt - useful 56 lt - energy rating A +

thermometer

triple inner oven door - removable inner glass

standard door hinge

5 oven levels

cooling fan optional

2 wire shelves , 1 deep tray, 1 grill mesh, 1 oven light

**Bottom**

toekick panel, stainless steel legs

electrical requirements 220/240V, 50/60Hz, 1500W

**TU75C61BX**  
70x60 cm, 5 burners electric oven BX

x

**Worktop**

5 aluminum gas burners with triple ring 3,5Kw

stainless steel squared worktop - black glass control panel

cast iron pan supports

stainless steel upstand

metal coated knobs "Milleluci" finishes

flame failure device and one hand ignition

**Oven Cavity**

electric multifunction with electric grill - single fan

9 functions 

oven volume overall 69 lt - useful 56 lt - energy rating A

touch control programmer

triple inner oven door - removable inner glass

standard door hinge

5 oven levels

cooling fan optional

2 wire shelves , 1 deep tray, 1 grill mesh, 1 oven light

**Bottom**

stainless steel legs

electrical requirements 220/240V, 50/60Hz, 2900W

**TU75C71BX**  
70x60 cm, 5 burners gas oven BX

x

**Worktop**

5 aluminum gas burners with triple ring 3,5Kw

stainless steel squared worktop - black glass control panel

cast iron pan supports

stainless steel upstand

metal coated knobs "Milleluci" finishes

flame failure device and one hand ignition

**Oven Cavity**

gas fan assisted with electric grill

5 functions 

oven volume overall 69 lt - useful 56 lt - energy rating A +

thermometer

triple inner oven door - removable inner glass

standard door hinge

5 oven levels

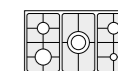
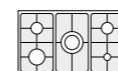
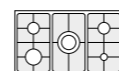
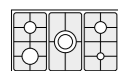
cooling fan optional

2 wire shelves , 1 deep tray, 1 grill mesh, 1 oven light

**Bottom**

stainless steel legs

electrical requirements 220/240V, 50/60Hz, 1500W





## 60x60 cm

**TU64C61AX**  
60x60 cm, 4 burners electric oven AX

x

**Worktop**

4 aluminum gas burners with triple ring 3,5Kw

stainless steel squared worktop - black glass control panel

cast iron pan supports

stainless steel upstand

metal coated knobs "Milleluci" finishes

flame failure device and one hand ignition

**Oven Cavity**

electric multifunction with electric grill - single fan

9 functions 

oven volume overall 69 lt - useful 56 lt - energy rating A

touch control programmer

triple inner oven door - removable inner glass

standard door hinge

5 oven levels

cooling fan optional

2 wire shelves , 1 deep tray, 1 grill mesh, 1 oven light

**Bottom**

toekick panel, stainless steel legs

electrical requirements 220/240V, 50/60Hz, 2900W

**TU64C71AX**  
60x60 cm, 4 burners gas oven AX

x

**Worktop**

4 aluminum gas burners with triple ring 3,5Kw

stainless steel squared worktop - black glass control panel

cast iron pan supports

stainless steel upstand

metal coated knobs "Milleluci" finishes

flame failure device and one hand ignition

**Oven Cavity**

gas fan assisted with electric grill

5 functions 

oven volume overall 69 lt - useful 56 lt - energy rating A

thermometer

triple inner oven door - removable inner glass

standard door hinge

5 oven levels

cooling fan optional

2 wire shelves , 1 deep tray, 1 grill mesh, 1 oven light

**Bottom**

toekick panel, stainless steel legs

electrical requirements 220/240V, 50/60Hz, 2900W

**TU64C61BX**  
60x60 cm, 4 burners electric oven BX

x

**Worktop**

4 aluminum gas burners with triple ring 3,5Kw

stainless steel squared worktop - black glass control panel

cast iron pan supports

stainless steel upstand

metal coated knobs "Milleluci" finishes

flame failure device and one hand ignition

**Oven Cavity**

electric multifunction with electric grill - single fan

9 functions 

oven volume overall 69 lt - useful 56 lt - energy rating A

touch control programmer

triple inner oven door - removable inner glass

standard door hinge

5 oven levels

cooling fan optional

2 wire shelves , 1 deep tray, 1 grill mesh, 1 oven light

**Bottom**

stainless steel legs

electrical requirements 220/240V, 50/60Hz, 2900W

**TU64C71BX**  
60x60 cm, 4 burners gas oven BX

x

**Worktop**

4 aluminum gas burners with triple ring 3,5Kw

stainless steel squared worktop - black glass control panel

cast iron pan supports

stainless steel upstand

metal coated knobs "Milleluci" finishes

flame failure device and one hand ignition

**Oven Cavity**

gas fan assisted with electric grill

5 functions 

oven volume overall 69 lt - useful 56 lt - energy rating A

thermometer

triple inner oven door - removable inner glass

standard door hinge

5 oven levels

cooling fan optional

2 wire shelves , 1 deep tray, 1 grill mesh, 1 oven light

**Bottom**

stainless steel legs

electrical requirements 220/240V, 50/60Hz, 1500W



**TU64C6ICX**  
 60x60 cm, 4 burners electric oven CX

x

**Worktop**

4 aluminum gas burners with triple ring 3,5Kw

stainless steel pressed

cast iron pan supports

lid cover (stainless steel upstand available)

metal coated knobs "Milleluci" finishes

flame failure device and one hand ignition

**Oven Cavity**

electric multifunction with electric grill - single fan

9 functions 

oven volume overall 69 lt - useful 56 lt - energy rating A

touch control clock

triple inner oven door - removable inner glass

standard door hinge

5 oven levels

cooling fan optional

2 wire shelves , 1 deep tray, 1 grill mesh, 1 oven light

**Bottom**

storage compartment, matt nickel legs

electrical requirements 220/240V, 50/60Hz, 2900W

**Option**available with 4 burners TU64O6ICX available with 1 electric hotplate TU65I6ICX available with 4 radiant zones TU6OE6OCX 
**TU64C7ICX**  
 60x60 cm, 4 burners gas oven CX

x

**Worktop**

4 aluminum gas burners with triple ring 3,5Kw

stainless steel pressed

cast iron pan supports

lid cover (stainless steel upstand available)

metal coated knobs "Milleluci" finishes

flame failure device and one hand ignition

**Oven Cavity**

gas fan assisted with electric grill

5 functions 

oven volume overall 69 lt - useful 56 lt - energy rating A+

minute minder

triple inner oven door - removable inner glass

standard door hinge

5 oven levels

cooling fan optional

2 wire shelves , 1 deep tray, 1 grill mesh, 1 oven light

**Bottom**

storage compartment, matt nickel legs

electrical requirements 220/240V, 50/60Hz, 1500W

**Option**available with 4 burners TU64O7ICX 
**TU64C5IDX**  
 60x60 cm, 4 burners electric oven DX

x

**Worktop**

4 aluminum gas burners with triple ring 3,5Kw

stainless steel pressed

enamelled steel

lid cover

metal coated knobs Matt finishes

flame failure device and one hand ignition

**Oven Cavity**

electric multifunction with electric grill

5 functions 

oven volume overall 69 lt - useful 56 lt - energy rating A

minute minder

double inner oven door

standard door hinge

5 oven levels

cooling fan optional

1 wire shelves , 1 deep tray, 1 grill mesh, 1 oven light

**Bottom**

matt nickel legs

electrical requirements 220/240V, 50/60Hz, 2200W

**Option**available with 4 burners TU64O5IDX available with 1 electric hotplate TU65I5IDX available with 4 radiant zones TU6OE5ODX 
**TU64C3IDX**  
 60x60 cm, 4 burners gas oven gas grill DX

x

**Worktop**

4 aluminum gas burners with triple ring 3,5Kw

stainless steel pressed

enamelled steel

lid cover

metal coated knobs Matt finishes

flame failure device and one hand ignition

**Oven Cavity**

gas with gas grill

3 functions 

oven volume overall 69 lt - useful 56 lt - energy rating A+

minute minder

double inner oven door

standard door hinge

5 oven levels

1 wire shelves , 1 deep tray, 1 grill mesh, 1 oven light

**Bottom**

matt nickel legs

electrical requirements 220/240V, 50/60Hz, 30W

**Option**available with 4 burners TU64O3IDX 

**TU64C2IDX**  
60x60 cm, 4 burners gas oven DX

x

**Worktop**

4 aluminum gas burners with triple ring 3,5Kw

stainless steel pressed

enamelled steel

lid cover

metal coated knobs Matt finishes

flame failure device and one hand ignition

**Oven Cavity**

gas with electric grill

3 functions 

oven volume overall 69 lt - useful 56 lt - energy rating A+

minute minder

double inner oven door

standard door hinge

5 oven levels

1 wire shelves , 1 deep tray, 1 grill mesh, 1 oven light

**Bottom**

matt nickel legs

electrical requirements 220/240V, 50/60Hz, 1500W

**Option**

available with 4 burners TU64O2IDX

x



60x50 cm

**TUI4C6ICX**  
60x50 cm, 4 burners electric oven CX

x

**Worktop**

4 aluminum gas burners with triple ring 3,5Kw

stainless steel pressed

cast iron pan supports


lid cover

metal coated knobs "Milleluci" finishes

flame failure device and one hand ignition

**Oven Cavity**

electric multifunction with electric grill - single fan

9 functions 

oven volume overall 69 lt - useful 56 lt - energy rating A

touch control clock

triple inner oven door - removable inner glass

standard door hinge

5 oven levels

cooling fan optional

2 wire shelves , 1 deep tray, 1 grill mesh, 1 oven light

**Bottom**

storage compartment, matt nickel legs

electrical requirements 220/240V, 50/60Hz, 2900W

**Option**

available with 4 burners TUI4O6ICX

x



**TUI4C7ICX**  
60x50 cm, 4 burners gas oven CX

x

**Worktop**

4 aluminum gas burners with triple ring 3,5Kw

stainless steel pressed

cast iron pan supports

lid cover

metal coated knobs "Milleluci" finishes

flame failure device and one hand ignition

**Oven Cavity**

gas fan assisted with electric grill

5 functions 

oven volume overall 69 lt - useful 56 lt - energy rating A+

minute minder

triple inner oven door - removable inner glass

standard door hinge

5 oven levels

cooling fan optional

2 wire shelves , 1 deep tray, 1 grill mesh, 1 oven light

**Bottom**

storage compartment, matt nickel legs

electrical requirements 220/240V, 50/60Hz, 1500W

**Option**

available with 4 burners TUI4O7ICX

x



**TUI4051DX**  
60x50 cm, 4 burners electric oven CX

x

**Worktop**

4 aluminum gas burners

stainless steel pressed

enamelled steel

lid cover

metal coated knobs Matt finishes

flame failure device and one hand ignition

**Oven Cavity**

electric multifunction with electric grill

5 functions 

oven volume overall 69 lt - useful 56 lt - energy rating A

minute minder

double inner oven door

standard door hinge

5 oven levels

1 wire shelves, 1 deep tray, 1 grill mesh, 1 oven light

**Bottom**

matt nickel legs

electrical requirements 220/240V, 50/60Hz, 2200W

**TUI4031DX**  
60x50 cm, 4 burners gas oven gas grill DX

x

**Worktop**

4 aluminum gas burners

stainless steel pressed

enamelled steel


lid cover

metal coated knobs Matt finishes

flame failure device and one hand ignition

**Oven Cavity**

gas with gas grill

3 functions 

oven volume overall 69 lt - useful 56 lt - energy rating A+

minute minder

double inner oven door

standard door hinge

5 oven levels

1 wire shelves, 1 deep tray, 1 grill mesh, 1 oven light

**Bottom**

matt nickel legs

electrical requirements 220/240V, 50/60Hz, 30W

**TUI4021DX**  
60x50 cm, 4 burners gas oven gas grill DX

x

**Worktop**

4 aluminum gas burners

stainless steel pressed

enamelled steel

lid cover

metal coated knobs Matt finishes

flame failure device and one hand ignition

**Oven Cavity**

gas with electric grill

3 functions 

oven volume overall 69 lt - useful 56 lt - energy rating A+

minute minder

double inner oven door

standard door hinge

5 oven levels

1 wire shelves, 1 deep tray, 1 grill mesh, 1 oven light

**Bottom**

matt nickel legs

electrical requirements 220/240V, 50/60Hz, 1500W





## Cookers Prima 90x60 cm

### RIS96C6IAX 90x60 cm, 5 burners electric oven DX

X XR

#### Worktop

6 brass gas burners with lateral dual wok 5kw

stainless steel squared

cast iron pan supports

stainless steel deflector (available upstand)

red soft touch knobs (available in soft black)

flame failure device and one hand ignition

#### Oven Cavity

electric multifunction with electric grill - single fan

11 functions 

oven volume overall 103 lt - useful 85 lt - energy rating A

thermometer

triple inner oven door - removable inner glass

soft motion and soft closing door hinge

4 oven levels - 1 telescopic slide shelf

cooling fan

2 wire shelves , 1 deep tray, 1 grill mesh, 1 oven light

#### Bottom

storage compartment, toekick panel, stainless steel legs

electrical requirements 220/240V, 50/60Hz, 3500W

#### Option

available with 5 burners RIS95C6IAX

X XR

available with lateral dual wok RIS95L6IAX

X XR

available with double dual wok RIS96D6IAX

X XR

### RIS96C6ILAX 90x60 cm, 5 burners electric oven DX

X XR

#### Worktop

6 brass gas burners with lateral dual wok 5Kw

stainless steel squared

cast iron pan supports

stainless steel deflector (available upstand)

red soft touch knobs (available in soft black)

flame failure device and one hand ignition

#### Oven Cavity

electric multifunction with electric grill - double fan

11 functions 

oven volume overall 142 lt - useful 117 lt - energy rating A

thermometer

triple inner oven door - removable inner glass

soft motion and soft closing door hinge

5 oven levels - 1 telescopic slide shelf

cooling fan

2 wire shelves , 1 deep tray, 1 grill mesh, 1 or 2 oven light

#### Bottom

storage compartment, toekick panel, stainless steel legs

electrical requirements 220/240V, 50/60Hz, 3500W

#### Option

available with 5 burners RIS95C6ILAX

X XR

available with lateral dual wok RIS95L6ILAX

X XR

available with double dual wok RIS96D6ILAX

X XR



### RIS9IND6IAX 90x60 cm, 5 induction zones electric oven AX

X XR

#### Worktop

5 induction zones

stainless steel squared + black glass

booster on all zones

stainless steel deflector (available upstand)

red soft touch knobs (available in soft black)

one hand ignition

#### Oven Cavity

electric multifunction with electric grill - single fan

11 functions 

oven volume overall 103 lt - useful 85 lt - energy rating A

thermometer

triple inner oven door - removable inner glass

soft motion and soft closing door hinge

4 oven levels - 1 telescopic slide shelf

cooling fan

2 wire shelves , 1 deep tray, 1 grill mesh, 1 oven light

#### Bottom

storage compartment, toekick panel, stainless steel legs

electrical requirements 220/240V, 50/60Hz, 10900W

#### Option

available with oven cavity 142 L RIS9IND6ILAX

X XR



### RIS96C7IAX 90x60 cm, 6 brass burners gas oven AX

X XR

#### Worktop

6 brass gas burners with lateral dual wok 5Kw

stainless steel squared

cast iron pan supports

stainless steel deflector (available upstand)

red soft touch knobs (available in soft black)

flame failure device and one hand ignition

#### Oven Cavity

gas fan assisted with electric grill - single or double fan

5 functions 

oven volume overall 142 lt - useful 117 lt - energy rating A+

thermometer

double inner oven door - removable inner glass

soft motion and soft closing door hinge

5 oven levels - 1 telescopic slide shelf

cooling fan optional

2 wire shelves , 1 deep tray, 1 grill mesh, 1 or 2 oven light

#### Bottom

storage compartment, toekick panel, stainless steel legs

electrical requirements 220/240V, 50/60Hz, 1800W

#### Option

available with 5 burners RIS95C7IAX

X XR

available with lateral dual wok RIS95L7IAX

X XR

available with double dual wok RIS96D7IAX

X XR

**RIS96C8IAX**  
 90x60 cm, 6 brass burners gas oven AX

 
**Worktop**

6 brass gas burners with lateral dual wok 5Kw

stainless steel squared

cast iron pan supports

stainless steel deflector (available upstand)

red soft touch knobs (available in soft black)

flame failure device and one hand ignition

**Oven Cavity**

gas fan assisted with gas grill - single or double fan

5 functions 

oven volume overall 142 lt - useful 117 lt - energy rating A+

thermometer

double inner oven door - removable inner glass

soft motion and soft closing door hinge

5 oven levels - 1 telescopic slide shelf

cooling fan optional

2 wire shelves, 1 deep tray, 1 grill mesh, 1 or 2 oven light

**Bottom**

storage compartment, toekick panel, stainless steel legs

electrical requirements 220/240V, 50/60Hz, 94W

**Option**

available with 5 burners RIS95C8IAX

available with lateral dual wok RIS95L8IAX

available with double dual wok RIS96D8IAX

 
**RIS95C6IBX**  
 90x60 cm, 5 burners electric oven BX

 
**Worktop**

5 aluminum gas burners with lateral dual wok 5Kw

stainless steel squared

cast iron pan supports

stainless steel deflector (available upstand)

red soft touch knobs (available in soft black)

flame failure device and one hand ignition

**Oven Cavity**

electric multifunction with electric grill - single fan

11 functions 

oven volume overall 103 lt - useful 85 lt - energy rating A

thermometer

triple inner oven door - removable inner glass

soft motion door hinge

4 oven levels

cooling fan

2 wire shelves, 1 deep tray, 1 grill mesh, 1 oven light

**Bottom**

storage compartment, stainless steel legs

electrical requirements 220/240V, 50/60Hz, 3500W

**Option**

available with 6 burners RI96C6IBX

available with lateral dual wok RI95L6IBX

available with double dual wok RIS96D6IAX

 
**RIS95C6ILBX**  
 90x60 cm, 5 burners electric oven BX

 
**Worktop**

5 aluminum gas burners with lateral dual wok 5Kw

stainless steel squared

cast iron pan supports

stainless steel deflector (available upstand)

red soft touch knobs (available in soft black)

flame failure device and one hand ignition

**Oven Cavity**

electric multifunction with electric grill - double fan

11 functions 

oven volume overall 142 lt - useful 117 lt - energy rating A

thermometer

triple inner oven door - removable inner glass

soft motion door hinge

5 oven levels

cooling fan

2 wire shelves, 1 deep tray, 1 grill mesh, 1 or 2 oven light

**Bottom**

storage compartment, stainless steel legs

electrical requirements 220/240V, 50/60Hz, 3500W

**Option**

available with 6 burners RI96C6ILBX

available with lateral dual wok RI95L6ILBX

available with double dual wok RIS96D6ILAX

 
**RIS9CER6IBX**  
 90x60 cm, 5 electric radiant zones electric oven BX

 
**Worktop**

5 electric zones

stainless steel squared + black glass

2 zones 1200W

2 zones 1100/2200W - 1 zone 700/1700W

red soft touch knobs (available in soft black)

one hand ignition

**Oven Cavity**

electric multifunction with electric grill - single fan

11 functions 

oven volume overall 103 lt - useful 85 lt - energy rating A

analogic clock

triple inner oven door - removable inner glass

soft motion door hinge

4 oven levels

cooling fan

2 wire shelves, 1 deep tray, 1 grill mesh, 1 oven light

**Bottom**

storage compartment, stainless steel legs

electrical requirements 220/240V, 50/60Hz, 12000W

**Option**

available with oven cavity 142 L RIS9CER6ILAX


**RIS96C7IBX**  
 90x60 cm, 6 burners gas oven BX

 
**Worktop**

6 aluminum gas burners with lateral dual wok 5Kw

stainless steel squared

cast iron pan supports

stainless steel deflector (available upstand)

red soft touch knobs (available in soft black)

flame failure device and one hand ignition

**Oven Cavity**

gas fan assisted with electric grill - single or double fan

5 functions 

oven volume overall 142 lt - useful 117 lt - energy rating A+

thermometer

double inner oven door - removable inner glass

soft motion door hinge

5 oven levels

cooling fan optional

2 wire shelves , 1 deep tray, 1 grill mesh, 1 or 2 oven light

**Bottom**

storage compartment, stainless steel legs

electrical requirements 220/240V, 50/60Hz, 1800W

**Option**
available with 5 burners RI95C7IBX  available with lateral dual wok RI95L7IBX  available with double dual wok RIS96D7IAX  
**RIS96C8IBX**  
 90x60 cm, 6 burners gas oven BX

 
**Worktop**

6 aluminum gas burners with lateral dual wok 5Kw

stainless steel squared

cast iron pan supports

stainless steel deflector (available upstand)

red soft touch knobs (available in soft black)

flame failure device and one hand ignition

**Oven Cavity**

gas fan assisted with gas grill - single or double fan

5 functions 

oven volume overall 142 lt - useful 117 lt - energy rating A+

thermometer

double inner oven door - removable inner glass

soft motion door hinge

5 oven levels

cooling fan optional

2 wire shelves , 1 deep tray, 1 grill mesh, 1 or 2 oven light

**Bottom**

storage compartment, stainless steel legs

electrical requirements 220/240V, 50/60Hz, 94W

**Option**
available with 5 burners RI95C8IBX  available with lateral dual wok RI95L8IBX  available with double dual wok RIS96D8IAX  
**RIS95C6ICX**  
 90x60 cm, 5 burners electric oven CX

 
**Worktop**

5 aluminum gas burners with central wok 4Kw

stainless steel pressed

cast iron pan supports

lid cover

red soft touch knobs (available in soft black)

flame failure device and one hand ignition

**Oven Cavity**

electric multifunction with electric grill - single fan

11 functions 

oven volume overall 103 lt - useful 85 lt - energy rating A

analogic clock

triple inner oven door - removable inner glass

soft motion door hinge

4 oven levels

cooling fan

2 wire shelves , 1 deep tray, 1 grill mesh, 1 oven light

**Bottom**

storage compartment, matt nickel legs

electrical requirements 220/240V, 50/60Hz, 3500W

**Option**
available with 6 burners RIS96C6ICX  available with lateral dual wok RIS95L6ICX  available with 2 electric hotplates RIS9426ICX  available with 2 electric hotplates RIS9826ICX  available with 1 electric hotplate RIS9816ICX  
**RIS95C6ILCX**  
 90x60 cm, 5 burners electric oven CX

 
**Worktop**

5 aluminum gas burners with central wok 4Kw

stainless steel pressed

cast iron pan supports

lid cover

red soft touch knobs (available in soft black)

flame failure device and one hand ignition

**Oven Cavity**

electric multifunction with electric grill - double fan

11 functions 

oven volume overall 142 lt - useful 117 lt - energy rating A

analogic clock

triple inner oven door - removable inner glass

soft motion door hinge

5 oven levels

cooling fan

2 wire shelves , 1 deep tray, 1 grill mesh, 1 or 2 oven light

**Bottom**

storage compartment, matt nickel legs

electrical requirements 220/240V, 50/60Hz, 3500W

**Option**
available with 6 burners RIS96C6ILCX  available with lateral dual wok RIS95L6ILCX  available with 2 electric hotplates RIS9426ILCX  available with 2 electric hotplates RIS9826ILCX  available with 1 electric hotplate RIS9816ILCX

**RIS95C7ICX**  
90x60 cm, 5 burners gas oven CX

X XR

**Worktop**

5 aluminum gas burners with central wok 4Kw

stainless steel pressed

cast iron pan supports

lid cover

red soft touch knobs (available in soft black)

flame failure device and one hand ignition

**Oven Cavity**

gas fan assisted with electric grill - single or double fan

5 functions 

oven volume overall 142 lt - useful 117 lt - energy rating A+

analogic clock

double inner oven door - removable inner glass

soft motion door hinge

5 oven levels

cooling fan optional

2 wire shelves , 1 deep tray, 1 grill mesh, 1 or 2 oven light

**Bottom**

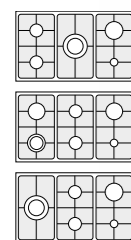
stainless steel

electrical requirements 220/240V, 50/60Hz, 1800W

**Option**

available with 6 burners RIS96C7ICX X XR

available with lateral dual wok RIS95L7ICX X XR



**RIS95C8ICX**  
90x60 cm, 5 burners gas oven gas grill CX

X XR

**Worktop**

5 aluminum gas burners with central wok 4Kw

stainless steel squared

cast iron pan supports

lid cover

red soft touch knobs (available in soft black)

flame failure device and one hand ignition

**Oven Cavity**

gas fan assisted with gas grill - single or double fan

5 functions 

oven volume overall 142 lt - useful 117 lt - energy rating A+

analogic clock

double inner oven door - removable inner glass

soft motion door hinge

5 oven levels

cooling fan optional

2 wire shelves , 1 deep tray, 1 grill mesh, 1 or 2 oven light

**Bottom**

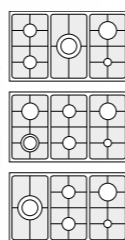
stainless steel

electrical requirements 220/240V, 50/60Hz,94W

**Option**

available with 6 burners RIS96C8ICX X XR

available with lateral dual wok RIS95L8ICX X XR



**RIS95C6ICWR**  
90x60 cm, 5 burners electric oven C WR

WR W WL WB WV

**Worktop**

5 aluminum gas burners with central wok 4Kw

stainless steel pressed

cast iron pan supports

lid cover

red soft touch knobs (available in soft black)

flame failure device and one hand ignition

**Oven Cavity**

electric multifunction with electric grill - single fan

11 functions 

oven volume overall 103 lt - useful 85 lt - energy rating A

analogic clock

triple inner oven door - removable inner glass

soft motion door hinge

4 oven levels

cooling fan

2 wire shelves , 1 deep tray, 1 grill mesh, 1 oven light

**Bottom**

storage compartment, matt nickel legs

electrical requirements 220/240V, 50/60Hz, 3500W

**Option**

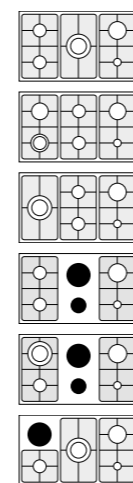
available with 6 burners RIS96C6ICWR WR W WL WB WV

available with lateral dual wok RIS95L6ICWR WR W WL WB WV

available with 2 electric hotplates RIS9426ICWR WR W WL WB WV

available with 2 electric hotplates RIS9826ICWR WR W WL WB WV

available with 1 electric hotplate RIS9816ICWR WR W WL WB WV



**RIS95C6ILCWR**  
90x60 cm, 5 burners electric oven C WR

WR W WL WB WV

**Worktop**

5 aluminum gas burners with central wok 4Kw

stainless steel pressed

cast iron pan supports

lid cover

red soft touch knobs (available in soft black)

flame failure device and one hand ignition

**Oven Cavity**

electric multifunction with electric grill - double fan

11 functions 

oven volume overall 142 lt - useful 117 lt - energy rating A

analogic clock

triple inner oven door - removable inner glass

soft motion door hinge

5 oven levels

cooling fan

2 wire shelves , 1 deep tray, 1 grill mesh, 1 or 2 oven light

**Bottom**

storage compartment, matt nickel legs

electrical requirements 220/240V, 50/60Hz, 3500W

**Option**

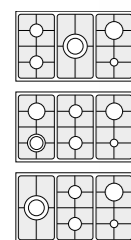
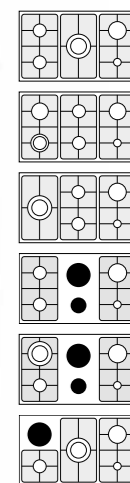
available with 6 burners RIS96C6ILCWR WR W WL WB WV

available with lateral dual wok RIS95L6ILCWR WR W WL WB WV

available with 2 electric hotplates RIS9426ILCWR WR W WL WB WV

available with 2 electric hotplates RIS9826ILCWR WR W WL WB WV

available with 1 electric hotplate RIS9816ILCWR WR W WL WB WV





**RIS95C7ICWR**  
90x60 cm, 5 burners gas oven C WR



**Worktop**

5 aluminum gas burners with central wok 4Kw

stainless steel pressed

cast iron pan supports

lid cover

red soft touch knobs (available in soft black)

flame failure device and one hand ignition

**Oven Cavity**

gas fan assisted with gas grill - single or double fan

5 functions

oven volume overall 142 lt - useful 117 lt - energy rating A+

analogic clock

double inner oven door - removable inner glass

soft motion door hinge

5 oven levels

cooling fan optional

2 wire shelves , 1 deep tray, 1 grill mesh, 1 or 2 oven light

**Bottom**

storage compartment, matt nickel legs

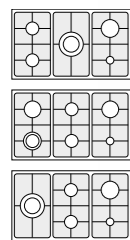
electrical requirements 220/240V, 50/60Hz,1800W

**Option**

available with 6 burners RIS96C7ICWR



available with lateral dual wok RIS95L7ICWR



**RIS95C8ICWR**  
90x60 cm, 5 burners gas oven gas grill C WR



**Worktop**

5 aluminum gas burners with central wok 4Kw

stainless steel squared

cast iron pan supports

lid cover

red soft touch knobs (available in soft black)

flame failure device and one hand ignition

**Oven Cavity**

gas fan assisted with gas grill - single or double fan

5 functions

oven volume overall 142 lt - useful 117 lt - energy rating A+

analogic clock

double inner oven door - removable inner glass

soft motion door hinge

5 oven levels

cooling fan optional

2 wire shelves , 1 deep tray, 1 grill mesh, 1 or 2 oven light

**Bottom**

storage compartment, matt nickel legs

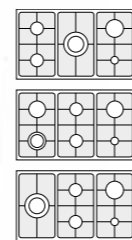
electrical requirements 220/240V, 50/60Hz,94W

**Option**

available with 6 burners RIS96C8ICWR



available with lateral dual wok RIS95L8ICWR



**RIS95C6ILDIX**  
90x60 cm, 5 burners electric oven DX



**Worktop**

5 aluminum gas burners with central wok 4Kw

stainless steel pressed

enamelled steel

lid cover

red soft touch knobs (available in soft black)

flame failure device and one hand ignition

**Oven Cavity**

electric multifunction with electric grill - double fan

11 functions

oven volume overall 142 lt - useful 117 lt - energy rating A

minute minder

triple inner oven door - removable inner glass

soft motion door hinge

5 oven levels

cooling fan

2 wire shelves , 1 deep tray, 1 grill mesh, 1 or 2 oven light

**Bottom**

matt nickel legs

electrical requirements 220/240V, 50/60Hz,3500W

**Option**

available with 6 burners RIS96C6ILDIX



available with lateral dual wok RIS95L6ILDIX



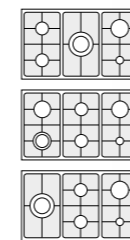
available with 2 electric hotplates RIS9426ILDIX



available with 2 electric hotplates RIS9826ILDIX



available with 1 electric hotplate RIS9816ILDIX



**RIS95C3IDIX**  
90x60 cm, 5 burners gas oven DW



**Worktop**

5 aluminum gas burners with central wok 4Kw

stainless steel pressed

enamelled steel

lid cover

red soft touch knobs (available in soft black)

flame failure device and one hand ignition

**Oven Cavity**

gas with gas grill

3 functions

oven volume overall 142 lt - useful 117 lt - energy rating A+

minute minder

double inner oven door - removable inner glass

soft motion door hinge

5 oven levels

1 wire shelf , 1 deep tray, 1 grill mesh, 1 or 2 oven light

**Bottom**

matt nickel legs

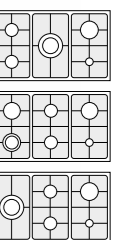
electrical requirements 220/240V, 50/60Hz,56W

**Option**

available with 6 burners RIS96C7IDIX



available with lateral dual wok RIS95L7IDIX



**RIS95C2IDX**  
90x60 cm, 5 burners gas oven DX

X

**Worktop**

5 aluminum gas burners with central wok 4Kw

stainless steel pressed

enamelled steel

lid cover

red soft touch knobs (available in soft black)

flame failure device and one hand ignition

**Oven Cavity**

gas with electric grill

3 functions 

oven volume overall 142 lt - useful 117 lt - energy rating A+

minute minder

double inner oven door - removable inner glass

soft motion door hinge

5 oven levels

1 wire shelf , 1 deep tray, 1 grill mesh, 1 or 2 oven light

**Bottom**

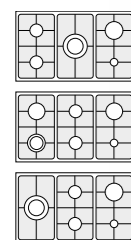
matt nickel legs

electrical requirements 220/240V, 50/60Hz,1800W

**Option**

available with 6 burners RIS96C3IDX

available with lateral dual wok RIS95L3IDX



**RIS95C6ILDW**  
90x60 cm, 5 burners electric oven DW

W

**Worktop**

5 aluminum gas burners with central wok 4Kw

stainless steel pressed

enamelled steel

lid cover

red soft touch knobs (available in soft black)

flame failure device and one hand ignition

**Oven Cavity**

electric multifunction with electric grill - double fan

11 functions 

oven volume overall 142 lt - useful 117 lt - energy rating A

minute minder

triple inner oven door - removable inner glass

soft motion door hinge

5 oven levels

cooling fan

2 wire shelves , 1 deep tray, 1 grill mesh, 1 or 2 oven light

**Bottom**

matt nickel legs

electrical requirements 220/240V, 50/60Hz,3500W

**Option**

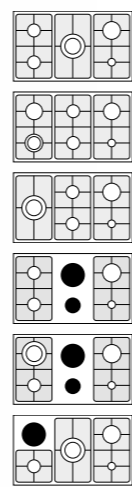
available with 6 burners RIS96C6ILDW

available with lateral dual wok RIS95L6ILDW

available with 2 electric hotplates RIS9426ILDW

available with 2 electric hotplates RIS9826ILDW

available with 1 electric hotplate RIS9816ILDW



**RIS95C3IDW**  
90x60 cm, 5 burners gas oven gas grill DW

W

**Worktop**

5 aluminum gas burners with central wok 4Kw

stainless steel pressed

enamelled steel

lid cover

red soft touch knobs (available in soft black)

flame failure device and one hand ignition

**Oven Cavity**

gas with gas grill

3 functions 

oven volume overall 142 lt - useful 117 lt - energy rating A+

minute minder

double inner oven door - removable inner glass

soft motion door hinge

5 oven levels

1 wire shelf , 1 deep tray, 1 grill mesh, 1 or 2 oven light

**Bottom**

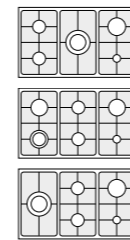
matt nickel legs

electrical requirements 220/240V, 50/60Hz, 56W

**Option**

available with 6 burners RIS96C7IDW

available with lateral dual wok RIS95L7IDW



**RIS95C2IDW**  
90x60 cm, 5 burners gas oven DW

W

**Worktop**

5 aluminum gas burners with central wok 4Kw

stainless steel pressed

enamelled steel

lid cover

red soft touch knobs (available in soft black)

flame failure device and one hand ignition

**Oven Cavity**

gas with electric grill

3 functions 

oven volume overall 142 lt - useful 117 lt - energy rating A+

minute minder

double inner oven door - removable inner glass

soft motion door hinge

5 oven levels

1 wire shelf , 1 deep tray, 1 grill mesh, 1 or 2 oven light

**Bottom**

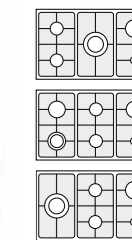
matt nickel legs

electrical requirements 220/240V, 50/60Hz,1800W

**Option**

available with 6 burners RIS96C3IDW

available with lateral dual wok RIS95L3IDW



## 60x60 cm

### RI64C6IBX 60x60 cm, 4 burners electric oven BX

X XR

#### Worktop

4 aluminum gas burners with triple ring 3,5Kw

stainless steel squared

cast iron pan supports

stainless steel upstand

red soft touch knobs (available in soft black)

flame failure device and one hand ignition

#### Oven Cavity

electric multifunction with electric grill - single fan

9 functions 

oven volume overall 69 lt - useful 56 lt - energy rating A

thermometer

triple inner oven door - removable inner glass

standard door hinge

5 oven levels

cooling fan optional

2 wire shelves , 1 deep tray, 1 grill mesh, 1 oven light

#### Bottom

stainless steel legs

### RI64C7IBX 60x60 cm, 4 burners gas oven BX

X XR

#### Worktop

4 aluminum gas burners with triple ring 3,5Kw

stainless steel squared

cast iron pan supports

stainless steel upstand

red soft touch knobs (available in soft black)

flame failure device and one hand ignition

#### Oven Cavity

gas fan assisted with electric grill

5 functions 

oven volume overall 69 lt - useful 56 lt - energy rating A

thermometer

triple inner oven door - removable inner glass

standard door hinge

5 oven levels

cooling fan optional

2 wire shelves , 1 deep tray, 1 grill mesh, 1 oven light

#### Bottom

stainless steel legs

### RI64C6ICX 60x60 cm, 4 burners electric oven CX

X XR

#### Worktop

4 aluminum gas burners with triple ring 3,5Kw

stainless steel pressed

cast iron pan supports

lid cover

red soft touch knobs (available in soft black)

flame failure device and one hand ignition

#### Oven Cavity

electric multifunction with electric grill - single fan

9 functions 

oven volume overall 69 lt - useful 56 lt - energy rating A

analogick clock

triple inner oven door - removable inner glass

standard door hinge

5 oven levels

cooling fan optional

2 wire shelves , 1 deep tray, 1 grill mesh, 1 oven light

#### Bottom

storage compartment, matt nickel legs

electrical requirements 220/240V, 50/60Hz, 2900W

#### Option

available with 4 burners RI64O6ICX

X XR

available with 1 electric hotplate RI65I6ICX

X XR

available with 4 radiant zones RI6OE6OX

X XR

### RI64C7ICX 60x60 cm, 4 burners gas oven CX

X XR

#### Worktop

4 aluminum gas burners with triple ring 3,5Kw

stainless steel pressed

cast iron pan supports

lid cover

red soft touch knobs (available in soft black)

flame failure device and one hand ignition

#### Oven Cavity

gas fan assisted with electric grill

5 functions 

oven volume overall 69 lt - useful 56 lt - energy rating A+

analogick clock

triple inner oven door - removable inner glass

standard door hinge

5 oven levels

cooling fan optional

2 wire shelves , 1 deep tray, 1 grill mesh, 1 oven light

#### Bottom

storage compartment, matt nickel legs

electrical requirements 220/240V, 50/60Hz, 1500W

#### Option

available with 4 burners RI64O7ICX

X XR



**RI64C61CWR**  
 60x60 cm, 4 burners electric oven WR

**Worktop**

4 aluminum gas burners with triple ring 3,5Kw

stainless steel pressed

cast iron pan supports

lid cover

red soft touch knobs (available in soft black)

flame failure device and one hand ignition

**Oven Cavity**

electric multifunction with electric grill - single fan

9 functions

oven volume overall 69 lt - useful 56 lt - energy rating A

analogick clock

triple inner oven door - removable inner glass

standard door hinge

5 oven levels

cooling fan optional

2 wire shelves , 1 deep tray, 1 grill mesh, 1 oven light

**Bottom**

storage compartment, matt nickel legs

electrical requirements 220/240V, 50/60Hz, 2900W

**Option**

available with 4 burners RI64O61CWR


**RI64C71CWR**  
 60x60 cm, 4 burners gas oven WR

**Worktop**

4 aluminum gas burners with triple ring 3,5Kw

stainless steel pressed

cast iron pan supports

lid cover

red soft touch knobs (available in soft black)

flame failure device and one hand ignition

**Oven Cavity**

gas fan assisted with electric grill

5 functions

oven volume overall 69 lt - useful 56 lt - energy rating A+

analogick clock

triple inner oven door - removable inner glass

standard door hinge

5 oven levels

cooling fan optional

2 wire shelves , 1 deep tray, 1 grill mesh, 1 oven light

**Bottom**

storage compartment, matt nickel legs

electrical requirements 220/240V, 50/60Hz, 1500W

**Option**

available with 4 burners RI64O71CWR


**RI64C51DX**  
 60x60 cm, 4 burners electric oven DX

**Worktop**

4 aluminum gas burners

stainless steel pressed

enamelled steel

lid cover

red soft touch knobs (available in soft black)

flame failure device and one hand ignition

**Oven Cavity**

electric multifunction with electric grill

5 functions

oven volume overall 69 lt - useful 56 lt - energy rating A

minute minder

double inner oven door

standard door hinge

5 oven levels

1 wire shelves , 1 deep tray, 1 grill mesh, 1 oven light

**Bottom**

matt nickel legs

electrical requirements 220/240V, 50/60Hz, 2200W

**Option**

available with 4 burners RI64O51DX

available with 1 electric hotplate RI651 51DX

available with 4 radiant zones RI6OE5ODX

**RI64C31DX**  
 60x60 cm, 4 burners gas oven gas grill DX

**Worktop**

4 aluminum gas burners

stainless steel pressed

enamelled steel

lid cover

red soft touch knobs (available in soft black)

flame failure device and one hand ignition

**Oven Cavity**

gas with gas grill

3 functions

oven volume overall 69 lt - useful 56 lt - energy rating A+

minute minder

double inner oven door

standard door hinge

5 oven levels

1 wire shelves , 1 deep tray, 1 grill mesh, 1 oven light

**Bottom**

matt nickel legs

electrical requirements 220/240V, 50/60Hz, 30W

**Option**

available with 4 burners RI64O31DX






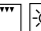

**RI64C2IDX**  
60x60 cm, 4 burners gas oven DX

X

**Worktop**

- 4 aluminum gas burners
- stainless steel pressed
- enamelled steel
- lid cover
- red soft touch knobs (available in soft black)
- flame failure device and one hand ignition

**Oven Cavity**

- gas with electric grill
- 3 functions   
- oven volume overall 69 lt - useful 56 lt - energy rating A+
- minute minder
- double inner oven door
- standard door hinge
- 5 oven levels
- 1 wire shelves , 1 deep tray, 1 grill mesh, 1 oven light

**Bottom**

- matt nickel legs
- electrical requirements 220/240V, 50/60Hz, 1500W

**Option**

available with 4 burners RI64O2IDX X


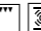



**RI64C5IDW**  
60x60 cm, 4 burners electric oven DW

W

**Worktop**

- 4 aluminum gas burners
- stainless steel pressed
- enamelled steel
- lid cover
- red soft touch knobs (available in soft black)
- flame failure device and one hand ignition

**Oven Cavity**

- electric multifunction with electric grill
- 5 functions     
- oven volume overall 69 lt - useful 56 lt - energy rating A
- minute minder
- double inner oven door
- standard door hinge
- 5 oven levels
- 1 wire shelves , 1 deep tray, 1 grill mesh, 1 oven light

**Bottom**

- matt nickel legs
- electrical requirements 220/240V, 50/60Hz, 2200W

**Option**

- available with 4 burners RI64O5IDW W
- available with 1 electric hotplate RI65I 5IDW W
- available with 4 radiant zones RI6OE5ODW W


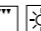
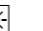
**RI64C3IDW**  
60x60 cm, 4 burners gas oven gas grill DW

W

**Worktop**

- 4 aluminum gas burners
- stainless steel pressed
- enamelled steel
- lid cover
- red soft touch knobs (available in soft black)
- flame failure device and one hand ignition

**Oven Cavity**

- gas with gas grill
- 3 functions   
- oven volume overall 69 lt - useful 56 lt - energy rating A+
- minute minder
- double inner oven door
- standard door hinge
- 5 oven levels
- 1 wire shelves , 1 deep tray, 1 grill mesh, 1 oven light

**Bottom**

- matt nickel legs
- electrical requirements 220/240V, 50/60Hz, 30W

**Option**

available with 4 burners RI64O3IDW W



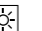
**RI64C2IDW**  
60x60 cm, 4 burners gas oven DW

W

**Worktop**

- 4 aluminum gas burners
- stainless steel pressed
- enamelled steel
- lid cover
- red soft touch knobs (available in soft black)
- flame failure device and one hand ignition

**Oven Cavity**

- gas with electric grill
- 3 functions   
- oven volume overall 69 lt - useful 56 lt - energy rating A+
- minute minder
- double inner oven door
- standard door hinge
- 5 oven levels
- 1 wire shelves , 1 deep tray, 1 grill mesh, 1 oven light

**Bottom**

- matt nickel legs
- electrical requirements 220/240V, 50/60Hz, 1500W

**Option**

available with 4 burners RI64O2IDW W



## Built-in Ovens

### Futura

#### 60x60 cm

#### F6O9LAGESXT

##### 60 cm Electric built-in oven 9 functions, LED display

#### Features

full stopsol glass with stainless steel frame

electric multifunction

9 functions 

oven volume 76 lt

7 segments LED display

metal knobs with "Milleluci" finishing

metal design handle

pyro enamel grey cavity finishing

Easy to Clean enamel

1 wire shelf flat, 1 wire shelf shaped, 1 baking tray, 1 light

Soft Opening door hinges

double oven door glass

anti-fingerprint stainless steel finishing

#### Technical specifications

energy rating A

220/240V, 50/60Hz

electric nominal power 2,7 Kw

#### F6O9LAGESGS

##### 60 cm Electric built-in oven 9 functions, LED display

#### Features

full stopsol glass

electric multifunction

9 functions 

oven volume 76 lt

7 segments LED display

metal knobs with "Milleluci" finishing

metal design handle

pyro enamel grey cavity finishing

Easy to Clean enamel

1 wire shelf flat, 1 wire shelf shaped, 1 baking tray, 1 light

Soft Opening door hinges

double oven door glass

anti-fingerprint stainless steel finishing

#### Technical specifications

energy rating A

220/240V, 50/60Hz

electric nominal power 2,7 Kw

#### F6O9LAGESX

##### 60 cm Electric built-in oven 9 functions, LED display

#### Features

stainless steel control panel with stopsol glass oven door

electric multifunction

9 functions 

oven volume 76 lt

7 segments LED display

metal knobs with "Milleluci" finishing

metal design handle

pyro enamel grey cavity finishing

Easy to Clean enamel

1 wire shelf flat, 1 wire shelf shaped, 1 baking tray, 1 light

Soft Opening door hinges

double oven door glass

anti-fingerprint stainless steel finishing

#### Technical specifications

energy rating A

220/240V, 50/60Hz

electric nominal power 2,7 Kw

#### F6O9LAGESGN

##### 60 cm Electric built-in oven 9 functions, LED display

#### Features

full black glass

electric multifunction

9 functions 

oven volume 76 lt

7 segments LED display

metal knobs with "Milleluci" finishing

metal design handle

pyro enamel grey cavity finishing

Easy to Clean enamel

1 wire shelf flat, 1 wire shelf shaped, 1 baking tray, 1 light

Soft Opening door hinges

double oven door glass

anti-fingerprint stainless steel finishing


#### Technical specifications


energy rating A


220/240V, 50/60Hz


electric nominal power 2,7 Kw



<p><b>F6O9LAGEKXT</b> 60 cm Electric built-in oven 9 functions</p>
<p><b>Features</b></p>
<p>full stopsol glass with stainless steel frame</p>
<p>electric multifunction</p>
<p>9 functions </p>
<p>oven volume 76 lt</p>
<p>end of cooking programmer</p>
<p>metal knobs with "Milleluci" finishing</p>
<p>metal design handle</p>
<p>pyro enamel grey cavity finishing</p>
<p>Easy to Clean enamel</p>
<p>1 wire shelf flat, 1 wire shelf shaped, 1 baking tray, 1 light</p>
<p>Soft Opening door hinges</p>
<p>double oven door glass</p>
<p>anti-fingerprint stainless steel finishing</p>
<p><b>Technical specifications</b></p>
<p>energy rating A</p>
<p>220/240V, 50/60Hz</p>
<p>electric nominal power 2,7 Kw</p>

<p><b>F6O9LAGEKGS</b> 60 cm Electric built-in oven 9 functions</p>
<p><b>Features</b></p>
<p>full stopsol glass</p>
<p>electric multifunction</p>
<p>9 functions </p>
<p>oven volume 76 lt</p>
<p>end of cooking programmer</p>
<p>metal knobs with "Milleluci" finishing</p>
<p>metal design handle</p>
<p>pyro enamel grey cavity finishing</p>
<p>Easy to Clean enamel</p>
<p>1 wire shelf flat, 1 wire shelf shaped, 1 baking tray, 1 light</p>
<p>Soft Opening door hinges</p>
<p>double oven door glass</p>
<p>anti-fingerprint stainless steel finishing</p>
<p><b>Technical specifications</b></p>
<p>energy rating A</p>
<p>220/240V, 50/60Hz</p>
<p>electric nominal power 2,7 Kw</p>

<p><b>F6O9LAGEKGN</b> 60 cm Electric built-in oven 9 functions</p>
<p><b>Features</b></p>
<p>full black glass</p>
<p>electric multifunction</p>
<p>9 functions </p>
<p>oven volume 76 lt</p>
<p>end of cooking programmer</p>
<p>metal knobs with "Milleluci" finishing</p>
<p>metal design handle</p>
<p>pyro enamel grey cavity finishing</p>
<p>Easy to Clean enamel</p>
<p>1 wire shelf flat, 1 wire shelf shaped, 1 baking tray, 1 light</p>
<p>Soft Opening door hinges</p>
<p>double oven door glass</p>
<p>anti-fingerprint stainless steel finishing</p>
<p><b>Technical specifications</b></p>
<p>energy rating A</p>
<p>220/240V, 50/60Hz</p>
<p>electric nominal power 2,7 Kw</p>

<p><b>F6O5LAGEKXT</b> 60 cm Electric built-in oven 5 functions</p>
<p><b>Features</b></p>
<p>porta forno e pannello comandi in vetro stopsol</p>
<p>electric multifunction</p>
<p>5 functions </p>
<p>oven volume 76 lt</p>
<p>end of cooking programmer</p>
<p>metal knobs with "Milleluci" finishing</p>
<p>metal design handle</p>
<p>pyro enamel grey cavity finishing</p>
<p>Easy to Clean enamel</p>
<p>1 wire shelf flat, 1 wire shelf shaped, 1 baking tray, 1 light</p>
<p>Soft Opening door hinges</p>
<p>double oven door glass</p>
<p>anti-fingerprint stainless steel finishing</p>
<p><b>Technical specifications</b></p>
<p>energy rating A</p>
<p>220/240V, 50/60Hz</p>
<p>electric nominal power 2,1 Kw</p>



**F6O5LAGEKGS**  
**60 cm Electric built-in oven 5 functions**
**Features**

porta forno e pannello comandi in vetro stopsol

electric multifunction

5 functions 

oven volume 76 lt

end of cooking programmer

metal knobs with "Milleluci" finishing

metal design handle

pyro enamel grey cavity finishing

Easy to Clean enamel

1 wire shelf flat, 1 wire shelf shaped, 1 baking tray, 1 light

Soft Opening door hinges

double oven door glass

anti-fingerprint stainless steel finishing

**Technical specifications**

energy rating A

220/240V, 50/60Hz

electric nominal power 2,1 Kw

**F6O5LAGEKX**  
**60 cm Electric built-in oven 5 functions**
**Features**

stainless steel control panel with stopsol glass oven door

electric multifunction

5 functions 

oven volume 76 lt

end of cooking programmer

metal knobs with "Milleluci" finishing

metal design handle

pyro enamel grey cavity finishing

Easy to Clean enamel

1 wire shelf flat, 1 wire shelf shaped, 1 baking tray, 1 light

Soft Opening door hinges

double oven door glass

anti-fingerprint stainless steel finishing

**Technical specifications**

energy rating A

220/240V, 50/60Hz

electric nominal power 2,1 Kw

**F6O5LAGEKGN**  
**60 cm Electric built-in oven 5 functions**
**Features**

full black glass

electric multifunction

5 functions 

oven volume 76 lt

end of cooking programmer

metal knobs with "Milleluci" finishing

metal design handle

pyro enamel grey cavity finishing

Easy to Clean enamel

1 wire shelf flat, 1 wire shelf shaped, 1 baking tray, 1 light

Soft Opening door hinges

double oven door glass

anti-fingerprint stainless steel finishing

**Technical specifications**

energy rating A

220/240V, 50/60Hz

electric nominal power 2,1 Kw

**F6O5LAGGKXT**  
**60 cm Fan Assisted built-in oven**
**Features**

full stopsol glass with stainless steel frame

fan assisted gas oven with gas grill

5 functions 

oven volume 76 lt

minute minder

metal knobs with "Milleluci" finishing

metal design handle

pyro enamel grey cavity finishing

Easy to Clean enamel

1 wire shelf flat, 1 wire shelf shaped, 1 baking tray, 1 light

Soft Opening door hinges

double oven door glass

anti-fingerprint stainless steel finishing

**Technical specifications**

energy rating A+

220/240V, 50/60Hz

electric nominal power 80W





**F6O5LAGGKGS**  
**60 cm Fan Assisted built-in oven**
**Features**

full stopsol glass

fan assisted gas oven with gas grill

5 functions 

oven volume 76 lt

minute minder

metal knobs with "Milleluci" finishing

metal design handle

pyro enamel grey cavity finishing

Easy to Clean enamel

1 wire shelf flat, 1 wire shelf shaped, 1 baking tray, 1 light

Soft Opening door hinges

double oven door glass

anti-fingerprint stainless steel finishing

**Technical specifications**

energy rating A+

220/240V, 50/60Hz

electric nominal power 80W

**F6O5LAGGKGN**  
**60 cm Fan Assisted built-in oven**
**Features**

full black glass

fan assisted gas oven with gas grill

5 functions 

oven volume 76 lt

minute minder

metal knobs with "Milleluci" finishing

metal design handle

pyro enamel grey cavity finishing

Easy to Clean enamel

1 wire shelf flat, 1 wire shelf shaped, 1 baking tray, 1 light

Soft Opening door hinges

double oven door glass

anti-fingerprint stainless steel finishing

**Technical specifications**

energy rating A+

220/240V, 50/60Hz

electric nominal power 80W

**F6O5LAGGKX**  
**60 cm Fan Assisted built-in oven**
**Features**

stainless steel control panel with stopsol glass oven door

fan assisted gas oven with gas grill

5 functions 

oven volume 76 lt

minute minder

metal knobs with "Milleluci" finishing

metal design handle

pyro enamel grey cavity finishing

Easy to Clean enamel

1 wire shelf flat, 1 wire shelf shaped, 1 baking tray, 1 light

Soft Opening door hinges

double oven door glass

anti-fingerprint stainless steel finishing

**Technical specifications**

energy rating A+

220/240V, 50/60Hz

electric nominal power 80W



## Built-in Ovens

### Futura

90x60 cm

#### F98OLAGGKX 90 cm fan assisted gas oven with gas grill

##### Features

full stopsol glass with stainless steel frame

fan assisted gas oven

5 functions 

oven volume 99 L

minute minder

metal knobs with "Milleluci" finishing

metal design handle

pyro enamel grey cavity finishing

1 wire shelf flat, 1 baking tray, 2 lights

standard opening door hinges

double oven door glass

anti-fingerprint stainless steel finishing

##### Technical specifications

energy rating A

220/240V, 50/60Hz

electric nominal power 60W

#### F98OLAGGKGN 90 cm fan assisted gas oven with gas grill

##### Features

Features

full black glass

fan assisted gas oven

5 functions 

oven volume 99 L

minute minder

metal knobs with "Milleluci" finishing

metal design handle

pyro enamel grey cavity finishing

1 wire shelf flat, 1 baking tray, 2 lights

standard opening door hinges

double oven door glass

##### anti-fingerprint stainless steel finishing

energy rating A

220/240V, 50/60Hz


electric nominal power 60W

#### F969LAGEKXT 90 cm Electric built-in oven 11 functions

##### Features

stainless steel control panel with stopsol glass oven door

electric multifunction

10 functions 

oven volume 100 L

minute minder

metal knobs with "Milleluci" finishing

metal design handle

pyro enamel grey cavity finishing

1 wire shelf flat, 2 baking trays, 2 lights

standard opening door hinges

double oven door glass

anti-fingerprint stainless steel finishing

##### Technical specifications

energy rating A

220/240V, 50/60Hz


electric nominal power 3,62kW

#### F969LAGEKGN 90 cm Electric built-in oven 11 functions

##### Features

full black glass

electric multifunction

10 functions 

oven volume 100 L

minute minder

metal knobs with "Milleluci" finishing

metal design handle

pyro enamel grey cavity finishing

1 wire shelf flat, 2 baking trays, 2 lights

standard opening door hinges

double oven door glass

anti-fingerprint stainless steel finishing

##### Technical specifications

energy rating A

220/240V, 50/60Hz

electric nominal power 3,62kW



**F969LAGEKXT/18**  
**90 cm Electric built-in oven 9 functions**
**Features**

stainless steel control panel with stopsol glass oven door

electric multifunction

9 functions 

oven volume 100 L

minute minder

metal knobs with "Milleluci" finishing

metal design handle

pyro enamel grey cavity finishing

1 wire shelf flat, 2 baking trays, 2 lights

standard opening door hinges

double oven door glass

anti-fingerprint stainless steel finishing

**Technical specifications**

energy rating A

220/240V, 50/60Hz

electric nominal power 3,62kW

**F969LAGEKGN/18**  
**90 cm Electric built-in oven 9 functions**
**Features**

full black glass

electric multifunction

9 functions 

oven volume 100 L

minute minder

metal knobs with "Milleluci" finishing

metal design handle

pyro enamel grey cavity finishing

1 wire shelf flat, 2 baking trays, 2 lights

standard opening door hinges

double oven door glass

anti-fingerprint stainless steel finishing

**Technical specifications**

energy rating A

220/240V, 50/60Hz

electric nominal power 3,62kW

**Microwave**  
**Futura**  
**60x45 cm**
**F45LAGMWSXT**  
**60x45 combi microwave**
**Features**

full stopsol glass with stainless steel frame

combi microwave oven

9 functions 

2 special functions (Defrost 1 - Defrost 2)

oven volume 44 L

display LED with end of cooking programmer

electronic power control

metal knobs with "Milleluci" finishing

metal design handle

stainless steel oven cavity finishing

3 oven levels

1 turntable Ø 360mm, 1 lights

13 auto cooking modes

4 power levels (100W-300W-450W-700W)

**Technical specifications**

energy rating A

220/240V, 50/60Hz

electric nominal power 1,7kW

**60x38 cm**
**F45CMWD9X**  
**60x38 combi microwave oven**
**Features**

stainless steel

combi microwave oven

7 functions 

4 special functions (defrosting time, defrosting weight, child lock, timer)

oven volume 25 L

electronic buttons and LED display

door release button

stainless steel oven cavity finishing

2 oven levels

1 turntable Ø 315mm, 1 lights

10 auto cooking modes

power levels 5

**Technical specifications**

energy rating A

220/240V, 50Hz

electric nominal power 2,5kW

**Options**

available with 60Hz F45CMWD9X-60



## Gas hobs

### Futura

### 90 cm

#### P905CLAGX

##### 90 cm gas hob, central dual wok

#### Features

5 gas burners  
 central dual wok 5kW  
 aluminum burners  
 large matt caps  
 metal knobs with "Milleluci" finishing  
 squared cast iron pan supports  
 flame failure device  
 one hand ignition  
 fontal control panel  
 pressed stainless steel worktop

#### Technical specifications

220/240, 50/60Hz  
 nominal electric power IA, IW

#### P905LLAGX

##### 90 cm gas hob, lateral dual wok

#### Features

5 gas burners  
 lateral dual wok 5kW  
 aluminum burners  
 large matt caps  
 metal knobs with "Milleluci" finishing  
 squared cast iron pan supports  
 flame failure device  
 one hand ignition  
 fontal control panel  
 pressed stainless steel worktop

#### Technical specifications

220/240, 50/60Hz  
 nominal electric power IA, IW



#### P910ID9X

##### 90 cm gas hob, central triple ring

#### Features

5 gas burners  
 central triple ring 3,5kW  
 aluminum burners  
 large matt caps  
 metal knobs with "Milleluci" finishing  
 round cast iron pan supports  
 flame failure device  
 one hand ignition  
 fontal control panel  
 pressed stainless steel worktop

#### Technical specifications

220/240, 50/60Hz  
 nominal electric power IA, IW



#### P9COID9XT

##### 90 cm gas hob, double dual wok

#### Features

3 gas burners  
 2 lateral dual wok 5kW  
 brass burners  
 large matt caps  
 metal knobs with "Milleluci" finishing  
 round cast iron pan supports  
 flame failure device  
 one hand ignition  
 fontal control panel  
 pressed stainless steel worktop

#### Technical specifications

220/240, 50/60Hz  
 nominal electric power IA, IW





**P95O1D9XT**  
90 cm gas hob, left dual wok

**Features**

3 gas burners  
left dual wok 5kW  
brass burners  
large matt caps  
metal knobs with "Milleluci" finishing  
round cast iron pan supports  
flame failure device  
one hand ignition  
fontal control panel  
pressed stainless steel worktop

**Technical specifications**

220/240, 50/60Hz  
nominal electric power IA, IW

**P95O1D9X**  
90 cm gas hob, left dual wok

**Features**

3 gas burners  
left dual wok 5kW  
aluminum burners  
large matt caps  
metal knobs with "Milleluci" finishing  
round cast iron pan supports  
flame failure device  
one hand ignition  
fontal control panel  
pressed stainless steel worktop

**Technical specifications**

220/240, 50/60Hz  
nominal electric power IA, IW



75 cm

**P75CLAGX**  
75 cm gas hob, wok centrale

**Features**

5 gas burners  
central wok 4 Kw  
aluminum burners  
large matt caps  
metal knobs with "Milleluci" finishing  
squared cast iron pan supports  
flame failure device  
one hand ignition  
fontal control panel  
pressed stainless steel worktop

**Technical specifications**

220/240, 50/60Hz  
nominal electric power IA, IW



**P71O1D9X**  
75 cm gas hob, central triple ring

**Features**

5 gas burners  
central triple ring 3,5kW  
aluminum burners  
large matt caps  
metal knobs with "Milleluci" finishing  
round cast iron pan supports  
flame failure device  
one hand ignition  
fontal control panel  
pressed stainless steel worktop

**Technical specifications**

220/240, 50/60Hz  
nominal electric power IA, IW



## 60 cm

**P604LLAGX**  
60 cm gas hob, lateral wok**Features**

4 gas burners  
lateral wok 4 Kw  
aluminum burners  
large matt caps  
metal knobs with "Milleluci" finishing  
squared cast iron pan supports  
flame failure device  
one hand ignition  
fontal control panel

**Technical specifications**

220/240, 50/60Hz  
nominal electric power IA, IW

**P604LAGX**  
60 cm gas hob**Features**

4 gas burners  
aluminum burners  
large matt caps  
metal knobs with "Milleluci" finishing  
round cast iron pan supports  
squared cast iron pan supports  
one hand ignition  
fontal control panel  
pressed stainless steel worktop

**Technical specifications**

220/240, 50/60Hz  
potenza elettrica totale IA, IW

**P680ID9X**  
60 cm gas hob, lateral triple ring**Features**

4 gas burners  
lateral triple ring 3,5kW  
aluminum burners  
large matt caps  
metal knobs with "Milleluci" finishing  
round cast iron pan supports  
flame failure device  
one hand ignition  
fontal control panel  
pressed stainless steel worktop

**Technical specifications**

220/240, 50/60Hz  
potenza elettrica totale IA, IW

**P640ID9X**  
60 cm gas hob**Features**

4 gas burners  
aluminum burners  
large matt caps  
metal knobs with "Milleluci" finishing  
round cast iron pan supports  
flame failure device  
one hand ignition  
fontal control panel  
pressed stainless steel worktop

**Technical specifications**

220/240, 50/60Hz  
potenza elettrica totale IA, IW



**P650ID9XT**  
60 cm gas , lateral dual wok

**Features**

3 gas burners  
left dual wok 5kW  
brass burners  
large matt caps  
metal knobs with "Milleluci" finishing  
round cast iron pan supports  
flame failure device  
one hand ignition  
fontal control panel

**Technical specifications**

220/240, 50/60Hz  
nominal electric power IA, IW

**P650ID9X**  
60 cm gas , lateral dual wok

**Features**

3 gas burners  
left dual wok 5kW  
aluminum burners  
large matt caps  
metal knobs with "Milleluci" finishing  
round cast iron pan supports  
flame failure device  
one hand ignition  
fontal control panel

**pressed stainless steel worktop**

220/240, 50/60Hz  
nominal electric power IA, IW



## Gas on Glass hobs

### Futura 90 cm

**P905CLAGGN**  
90 cm gas on glass hob, central dual wok

**Features**

5 burners  
central dual wok 5kW  
black mono-block burners  
metal knobs with "Milleluci" finishing  
single cast iron pan supports  
flame failure device  
one hand ignition  
frontal control panel  
tempered black glass

**Technical specifications**

220/240, 50/60Hz  
nominal electric power IA, IW



**P905LLAGGN**  
90 cm gas on glass hob, lateral dual wok

**Features**

5 burners  
lateral dual wok 5kW  
black mono-block burners  
metal knobs with "Milleluci" finishing  
single cast iron pan supports  
flame failure device  
one hand ignition  
frontal control panel  
tempered black glass

**Technical specifications**

220/240, 50/60Hz  
nominal electric power IA, IW



## 75 cm

**P775CLAGGN**  
75 cm gas on glass hob, central wok**Features**

5 burners  
 central wok 4kW  
 black mono-block burners  
 metal knobs with "Milleluci" finishing  
 single cast iron pan supports  
 flame failure device  
 one hand ignition  
 frontal control panel  
 tempered black glass

**Technical specifications**

220/240, 50/60Hz  
 nominal electric power IA, IW

## 60 cm

**P604LLAGGN**  
60 cm gas on glass hob, lateral wok**Features**

4 burners  
 lateral wok 4kW  
 black mono-block burners  
 metal knobs with "Milleluci" finishing  
 single cast iron pan supports  
 flame failure device  
 one hand ignition  
 frontal control panel  
 tempered black glass

**Technical specifications**

220/240, 50/60Hz  
 nominal electric power IA, IW

**P604LAGGN**  
60 cm gas on glass hob**Features**

4 burners  
 black mono-block burners  
 metal knobs with "Milleluci" finishing  
 single cast iron pan supports  
 flame failure device  
 one hand ignition  
 frontal control panel

**tempered black glass**

220/240, 50/60Hz  
 nominal electric power IA, IW





## Induction hobs

### Serie Futura

#### P784ICIB2NE 78 cm induction hob

##### Features

4 zones  
 1 zone Ø 210x190 mm / 2,1 kW booster  
 1 zone Ø 210x190 mm / 1,6 kW booster  
 1 zone Ø 250 mm / 2,3-3,0 kW booster  
 1 zona Ø 190 mm / 1,1-1,4 kW booster

LED display interface

1 bridge zone

full touch control

11 power levels

child lock

timer

residual heat indicator

bevelled black glass on 4 sides

##### Technical specifications

220/240, 50/60Hz

nominal electric power 7,4 kW

#### P604ILAGCIGN 60 cm induction hob

##### Features

4 zones  
 2 zones Ø 220 mm / 1,4 kW booster  
 2 zones Ø 210 mm / 1,4 kW booster

LED display interface

1 bridge zone

full touch control

10 power levels

child lock

timer

residual heat indicator

bevelled black glass on 4 sides

##### Technical specifications

220/240, 50/60Hz

nominal electric power 7,4

power limitation system 3 levels , 3,7Kw – 4,8 Kw – 5,6 Kw

## Vitroc ceramic hobs

### Serie Futura

#### P904CERLAGN 90 cm vitroceramic hob

##### Features

4 radiant zones  
 2 zones Ø 145 mm / 1,2 kW  
 1 zone Ø 180 mm / 1,8 kW  
 1 zone Ø 145/210 mm / 1,2 kW - 2,2 kW

LED display interface

full touch control

1 multizone

9 power levels

child lock

timer

residual heat indicator

black glass worktop

##### Technical specifications

220/240, 50/60Hz

nominal electric power 6,5 kW

#### P604CERLAGN 60 cm vitroceramic hob

##### Features

4 radiant zones  
 2 zones Ø 145 mm / 1,2 kW  
 1 zone Ø 180 mm / 1,8 kW  
 1 zone Ø 145/210 mm / 1,2 kW - 2,2 kW

LED display interface

full touch control

9 power levels

child lock

timer

residual heat indicator

black glass worktop

##### Technical specifications

220/240, 50/60Hz

nominal electric power 6,5 kW

#### P302CERLAGN 30 cm vitroceramic hob

##### Features

2 radiant zones  
 1 zones Ø 145 mm / 1,2 kW  
 1 zone Ø 180 mm / 1,8 kW

LED display interface

full touch control

9 power levels

child lock

timer

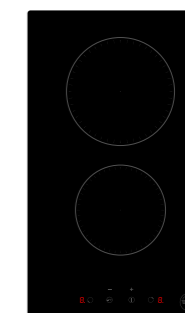
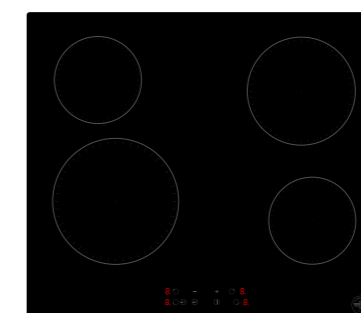
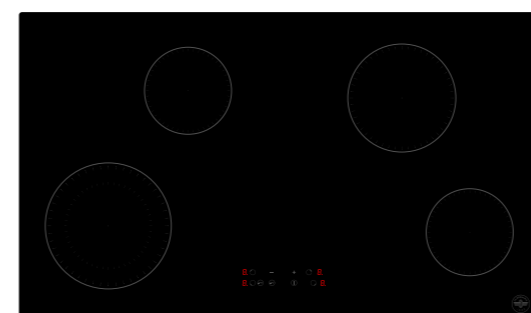
residual heat indicator

black glass worktop

##### Technical specifications

220/240, 50/60Hz

nominal electric power 3 kW



## Hoods Americana

### K90AMHXA 90 cm wallmount hood, high edge

#### Features

wallmount installation  
stainless steel with canopy in 3 matt colours  
1 motor  
4 speed  
push buttons controls  
charcoal filter  
2 LED lights  
max extraction power 800 m<sup>3</sup>/h

#### Technical Data

energy efficiency class A  
annual energy consumption 52 kWh/year  
fluid dynamic efficiency 31,5%  
fluid dynamic energy class A  
light efficiency 14,2 lux/W  
light efficiency class D  
grease filtering efficiency 91%  
grease filtering efficiency class B  
sound level minimum speed 45 dbA  
sound level maximum speed 65 dbA  
220/240 V - 50/60 Hz  
absorbed power 258 W

#### Option

■ K90AMHNEA  
■ K90AMHCRA  
■ K90AMHVIA



### K60AMHXA 60cm wallmount hood, high edge

#### Features

wallmount installation  
stainless steel with canopy in 3 matt colours  
1 motor  
4 speed  
push buttons controls  
charcoal filter  
2 LED lights  
max extraction power 800 m<sup>3</sup>/h

#### Technical Data

energy efficiency class A  
annual energy consumption 52 kWh/year  
fluid dynamic efficiency 31,5%  
fluid dynamic energy class A  
light efficiency 14,2 lux/W  
light efficiency class D  
grease filtering efficiency 91%  
grease filtering efficiency class B  
sound level minimum speed 45 dbA  
sound level maximum speed 65 dbA  
220/240 V - 50/60 Hz  
absorbed power 252 W



### KPL9OPLAGIXA 90 cm wallmount hood, low edge

#### Features

wallmount installation  
stainless steel with canopy in 3 matt colours  
1 motor  
4 speed  
push buttons controls  
charcoal filter  
2 LED lights  
max extraction power 600 m<sup>3</sup>/h

#### Technical Data

energy efficiency class A  
annual energy consumption 50,9 kWh/year  
fluid dynamic efficiency 30,3%  
fluid dynamic energy class A  
light efficiency 49 lux/W  
light efficiency class A  
grease filtering efficiency 91%  
grease filtering efficiency class B  
sound level minimum speed 41 dbA  
sound level maximum speed 65 dbA  
220/240 V - 50/60 Hz or 220/240 V - 60 Hz  
absorbed power 234 W

#### Option

■ KPL9OPLAGINEA  
■ KPL9OPLAGICRA  
■ KPL9OPLAGIVIA



### KPL6OPLAGIXA 60 cm wallmount hood, low edge

#### Features

wallmount installation  
stainless steel with canopy in 3 matt colours  
1 motor  
4 speed  
push buttons controls  
charcoal filter  
2 LED lights  
max extraction power 600 m<sup>3</sup>/h

#### Technical Data

energy efficiency class A  
annual energy consumption 50,9 kWh/year  
fluid dynamic efficiency 30,3%  
fluid dynamic energy class A  
light efficiency 49 lux/W  
light efficiency class A  
grease filtering efficiency 91%  
grease filtering efficiency class B  
sound level minimum speed 41 dbA  
sound level maximum speed 65 dbA  
220/240 V - 50/60 Hz or 220/240 V - 60 Hz  
absorbed power 234 W

#### Option

■ KPL6OPLAGINEA  
■ KPL6OPLAGICRA  
■ KPL6OPLAGIVIA



## Hoods Futura

### K90TUKXA 90 cm wallmount and under cabinet hood

#### Features

wallmount and under cabinet installation  
stainless steel with black glass control panel

1 motor

3 speed

control by metal knobs with "Milleluci" finishes

timer

aluminum mesh filter

2 LED lights

max extraction power 600 m<sup>3</sup>/h

#### Technical Data

energy efficiency class A

annual energy consumption 46 kWh/year

fluid dynamic efficiency 30,7%

fluid dynamic energy class A

light efficiency 40 lux/W

light efficiency class A

grease filtering efficiency 81,2%

grease filtering efficiency class C

sound level minimum speed 42 dbA

sound level maximum speed 59 dbA

220-240V 50-60Hz

absorbed power 284 W

### K60TUKXA 60 cm wallmount and under cabinet hood

#### Features

wallmount and under cabinet installation  
stainless steel with black glass control panel

1 motor

3 speed

control by metal knobs with "Milleluci" finishes

timer

aluminum mesh filter

2 LED lights

max extraction power 600 m<sup>3</sup>/h

#### Technical Data

energy efficiency class A

annual energy consumption 46 kWh/year

fluid dynamic efficiency 30,7%

fluid dynamic energy class A

light efficiency 52 lux/W

light efficiency class A

grease filtering efficiency 80,7%

grease filtering efficiency class C

sound level minimum speed 42 dbA

sound level maximum speed 59 dbA

220/240 V 50/60 Hz

absorbed power 284 W

### K90ITUGXA 90cm island mount hood

#### Features

island mount installation  
stainless steel and black glass finishes

1 motor

4 speed

electronic touch control

timer

aluminum mesh filters

4 LED lights

max extraction power 800 m<sup>3</sup>/h

#### Technical Data

energy efficiency class A

annual energy consumption 56,1 kWh/year

fluid dynamic efficiency 31,3%

fluid dynamic energy class A

light efficiency 40 lux/w

light efficiency class A

grease filtering efficiency 78%

grease filtering efficiency class C

sound level maximum speed 39 dbA

sound level minimum speed 60 dbA

220-240 V, 50/60 Hz

absorbed power 286 W

### K90TUGXA 90cm wallmount hood

#### Features

wallmount installation  
stainless steel and black glass finishes

1 motor

4 speed

electronic touch control

timer

aluminum mesh filters

2 LED lights

max extraction power 800 m<sup>3</sup>/h

#### Technical Data

energy efficiency class A

annual energy consumption 56,1 kWh/year

fluid dynamic efficiency 31,3%

fluid dynamic energy class A

light efficiency 65 lux/w

light efficiency class A

grease filtering efficiency 78%

grease filtering efficiency class C

sound level maximum speed 39 dbA

sound level minimum speed 60 dbA

220-240 V, 50/60 Hz

absorbed power 286 W



<b>K60TUGXA</b> <b>60cm wallmount hood</b>
<b>Features</b>
wallmount installation
stainless steel and black glass finishes
1 motor
4 speed
electronic touch control
timer
aluminum mesh filters
2 LED lights
max extraction power 800 m <sup>3</sup> /h
<b>Technical Data</b>
energy efficiency class A
annual energy consumption 56,1 kWh/year
fluid dynamic efficiency 31,3%
fluid dynamic energy class A
light efficiency 40 lux/w
light efficiency class A
grease filtering efficiency 78%
grease filtering efficiency class C
sound level maximum speed 39 dbA
sound level minimum speed 60 dbA
220-240 V, 50/60 Hz
absorbed power 286 W

<b>K90TUXXA</b> <b>90 cm wallmount hood</b>
<b>Features</b>
wallmount installation
stainless steel finishes
1 motor
3 speed
push buttons control
timer
aluminum mesh filters
2 LED lights
max extraction power 800 m <sup>3</sup> /h
<b>Technical Data</b>
energy efficiency class A
annual energy consumption 47 kWh/year
fluid dynamic efficiency 30,4%
fluid dynamic energy class A
light efficiency 65,4 lux/W
light efficiency class A
grease filtering efficiency 81,5%
grease filtering efficiency class C
sound level minimum speed 45 dbA
sound level maximum speed 67 dbA
220/240 V 50/60 Hz
absorbed power 252 W

<b>K90ITUXXA</b> <b>90cm island mount hood</b>
<b>Features</b>
island mount installation
stainless steel finishes
1 motor
4 speed
electronic touch control
timer
aluminum mesh filters
4 LED lights
max extraction power 800 m <sup>3</sup> /h
<b>Technical Data</b>
energy efficiency class A
annual energy consumption 47 kWh/year
fluid dynamic efficiency 31,3%
fluid dynamic energy class A
light efficiency 40 lux/W
light efficiency class A
grease filtering efficiency 81,5%
grease filtering efficiency class C
sound level minimum speed 45 dbA
sound level maximum speed 67 dbA
220/240 V 50/60 Hz
absorbed power 252 W

<b>K60TUXXA</b> <b>60 cm wallmount hood</b>
<b>Features</b>
wallmount installation
stainless steel finishes
1 motor
3 speed
push buttons control
timer
aluminum mesh filters
2 LED lights
max extraction power 800 m <sup>3</sup> /h
<b>Technical Data</b>
energy efficiency class A
annual energy consumption 47 kWh/year
fluid dynamic efficiency 30,4%
fluid dynamic energy class A
light efficiency 65,4 lux/W
light efficiency class A
grease filtering efficiency 81,5%
grease filtering efficiency class C
sound level minimum speed 45 dbA
sound level maximum speed 67 dbA
220/240 V 50/60 Hz
absorbed power 252 W





<p><b>KV9OLAGINB</b> 90 cm inclined wallmount hood</p>
<p><b>Features</b></p> <p>wallmount installation</p> <p>full black glass</p> <p>1 motor</p> <p>3 speed + booster</p> <p>full touch control</p> <p>perimetral aspiration</p> <p>saturation alarm</p> <p>aluminum mesh filter</p> <p>2 LED lights</p> <p>max extraction power 720 m<sup>3</sup>h</p> <p><b>Technical Data</b></p> <p>energy efficiency class B</p> <p>annual energy consumption 78,3 kWh/year</p> <p>fluid dynamic efficiency 23,8%</p> <p>fluid dynamic energy class B</p> <p>light efficiency 150 lux/W</p> <p>light efficiency class A</p> <p>grease filtering efficiency 45,1%</p> <p>grease filtering efficiency class F</p> <p>sound level minimum speed 55 dbA</p> <p>sound level maximum speed 68 dbA</p> <p>220-240V 50-60Hz</p> <p>absorbed power 252 W</p>

<p><b>K9OTUTX</b> 60cm undercabinet and telescopic hood</p>
<p><b>Features</b></p> <p>undercabinet installation</p> <p>stainless steel finishes</p> <p>1 motor</p> <p>3 speed</p> <p>push buttons control</p> <p>aluminum mesh filter</p> <p>2 halogen lights</p> <p>max extraction power 600 m<sup>3</sup>h</p> <p><b>Technical Data</b></p> <p>energy efficiency class D</p> <p>annual energy consumption 83,8 kWh/year</p> <p>fluid dynamic efficiency 8,2%</p> <p>fluid dynamic energy class E</p> <p>light efficiency 13,6%</p> <p>light efficiency class E</p> <p>grease filtering efficiency 74,2%</p> <p>grease filtering efficiency class D</p> <p>sound level maximum speed 42 dbA</p> <p>sound level minimum speed 64 dbA</p> <p>220-240 V, 50/60 Hz</p> <p>absorbed power 153 W</p>

<p><b>K90ITUVXA</b> 90cm island mount hood</p>
<p><b>Features</b></p> <p>island mount installation</p> <p>stainless steel and glass finishes</p> <p>1 motor</p> <p>3 speed</p> <p>push buttons control</p> <p>timer</p> <p>aluminum mesh filter</p> <p>4 LED lights</p> <p>max extraction power 600 m<sup>3</sup>h</p> <p><b>Technical Data</b></p> <p>energy efficiency class A</p> <p>annual energy consumption 49 kWh/year</p> <p>fluid dynamic efficiency 29,2%</p> <p>fluid dynamic energy class A</p> <p>light efficiency 53%</p> <p>light efficiency class A</p> <p>grease filtering efficiency 81%</p> <p>grease filtering efficiency class C</p> <p>sound level maximum speed 48 dbA</p> <p>sound level minimum speed 65 dbA</p> <p>220-240 V, 50/60 Hz</p> <p>absorbed power 233 W</p>

<p><b>K90TUVXA</b> 90cm wallmount hood</p>
<p><b>Features</b></p> <p>wallmount installation</p> <p>stainless steel and glass finishes</p> <p>1 motor</p> <p>3 speed</p> <p>push buttons control</p> <p>timer</p> <p>aluminum mesh filter</p> <p>2 LED lights</p> <p>max extraction power 600 m<sup>3</sup>h</p> <p><b>Technical Data</b></p> <p>energy efficiency class A</p> <p>annual energy consumption 49 kWh/year</p> <p>fluid dynamic efficiency 29,2%</p> <p>fluid dynamic energy class A</p> <p>light efficiency 53%</p> <p>light efficiency class A</p> <p>grease filtering efficiency 81%</p> <p>grease filtering efficiency class C</p> <p>sound level maximum speed 48 dbA</p> <p>sound level minimum speed 65 dbA</p> <p>220-240 V, 50/60 Hz</p> <p>absorbed power 233 W</p>



**K90TUSX**  
**90cm undermount hood**
**Features**

undermount installation

stainless steel finishes

1 motor

3 speed

push buttons control

aluminum panel filter

1 LED light

max extraction power 204 m<sup>3</sup>/h

**K90TUSW**  
**90cm undermount hood**
**Features**

undermount installation

white finishes

1 motor

3 speed

push buttons control

aluminum panel filter

1 LED light

max extraction power 204 m<sup>3</sup>/h

**K80TUSX**  
**80cm undermount hood**
**Features**

undermount installation

stainless steel finishes

1 motor

3 speed

push buttons control

aluminum panel filter

1 LED light

max extraction power 204 m<sup>3</sup>/h

**K60TUSX**  
**60cm undermount hood**
**Features**

undermount installation

stainless steel finishes

1 motor

3 speed

push buttons control

aluminum panel filter

1 LED light

max extraction power 204 m<sup>3</sup>/h



## Hoods

### Prima

#### KPL9OPLAGIXRA 90 cm wallmount hood, low edge

##### Features

wallmount installation  
stainless steel with low edge in red finishes  
1 motor  
4 speed  
push buttons controls  
charcoal filter  
2 LED lights  
max extraction power 600 m<sup>3</sup>/h

##### Technical Data

energy efficiency class A  
annual energy consumption 50,9 kWh/year  
fluid dynamic efficiency 30,3%  
fluid dynamic energy class A  
light efficiency 49 lux/W  
light efficiency class A  
grease filtering efficiency 91%  
grease filtering efficiency class B  
sound level minimum speed 41 dbA  
sound level maximum speed 65 dbA  
220/240 V - 50/60 Hz or 220/240 V - 60 Hz  
absorbed power 234 W

#### KPL6OPLAGIXRA 60 cm wallmount hood

##### Features

wallmount installation  
stainless steel with low edge in red finishes  
1 motor  
4 speed  
push buttons controls  
charcoal filter  
2 LED lights  
max extraction power 600 m<sup>3</sup>/h

##### Technical Data

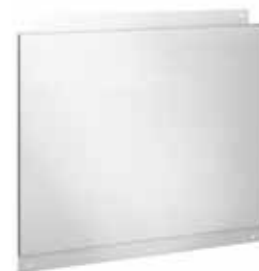
energy efficiency class A  
annual energy consumption 50,9 kWh/year  
fluid dynamic efficiency 30,3%  
fluid dynamic energy class A  
light efficiency 49 lux/W  
light efficiency class A  
grease filtering efficiency 91%  
grease filtering efficiency class B  
sound level minimum speed 41 dbA  
sound level maximum speed 65 dbA  
220/240 V - 50/60 Hz or 220/240 V - 60 Hz  
absorbed power 234 W



## Accessories

#### Backsplash 90 cm 901400

Dimensions 887x790x10 mm



#### Backsplash 60 cm 901347

Dimensions 595x690x20 mm



#### Toekick 90 cm high 901441

Dimensions 893x141,5x484 mm, cooker height 900 mm



#### Toekick 90 cm low 901442

Dimensions 893x121,5x484 mm, cooker height 880 mm



#### Toekick 70 cm high 901443

Dimensions 693x141,5x484 mm, cooker height 900 mm



#### Toekick 70 cm low 901444

Dimensions 693x121,5x484 mm, cooker height 880 mm



**Toekick 60 cm high  
901445**

Dimensions 593x141,5x484 mm, cooker height 900 mm



**Toekick 60 cm low  
901446**

Dimensions 593x121,5x484, cooker height 880 mm



**Upstand for cookers 90 cm A-TEC pressed worktop  
901447**

Height 60 mm



**Upstand for cookers 90 cm storage compartment  
901449**

Height 60 mm



**Upstand for cookers 80 cm  
901450**

Height 60 mm



**Upstand for cookers 60 cm  
901448**

Height 60 mm



**Teppan-Yaki stainless steel griddle  
901401**

Dimensions 260x510 mm



**Cast iron griddle  
PEN06**

Dimensions 430x230x30 mm



**Wok ring adaptor  
901439**

Diameter 220 mm



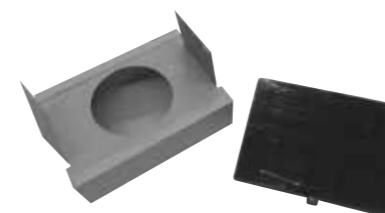
**Simmer ring  
901438**

Diameter 140 mm



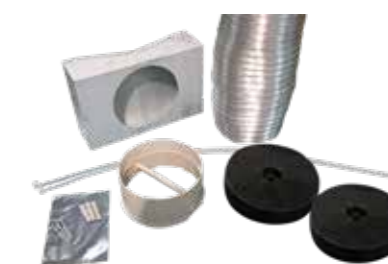
**Recirculation kit  
901426**

Kit for model hoods K90-K60 AMH



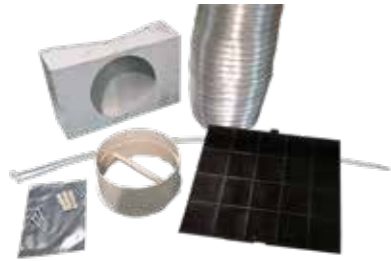
**Recirculation kit  
901425**

Kit for model hoods KPL90-60

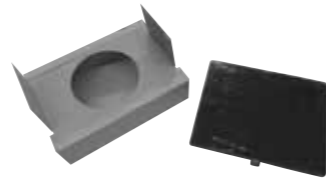


**Recirculation kit  
901428**

Kit for model hoods K90-K60 TUXX

**Recirculation kit  
901260**

Kit for model hoods K90-K60 TUKX

**Charcoal filter  
901394**

Kit for model hoods K90-K60 AMH e KPL

**Charcoal filter  
901395**

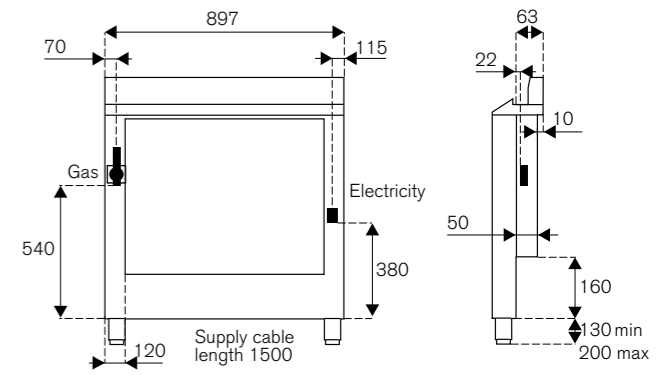
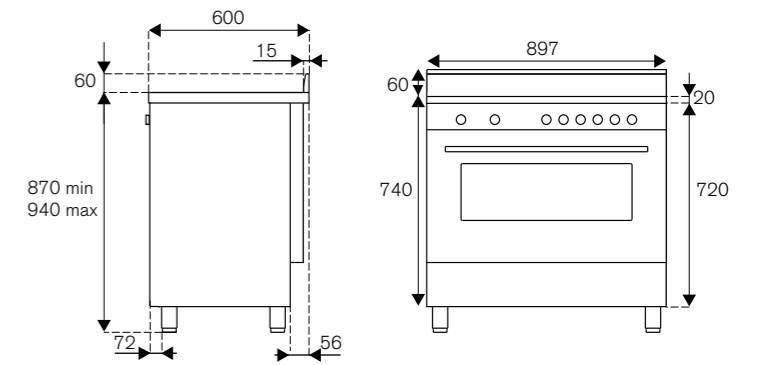
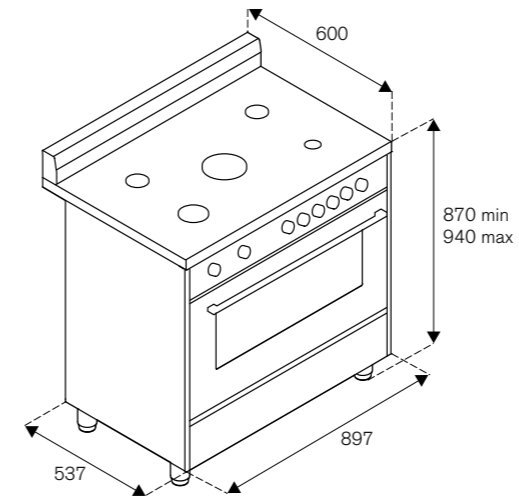
Kit for model hoods K90-60 TUXX, K90-60I TUXX, K90-60 TUGX, K90 TUVX



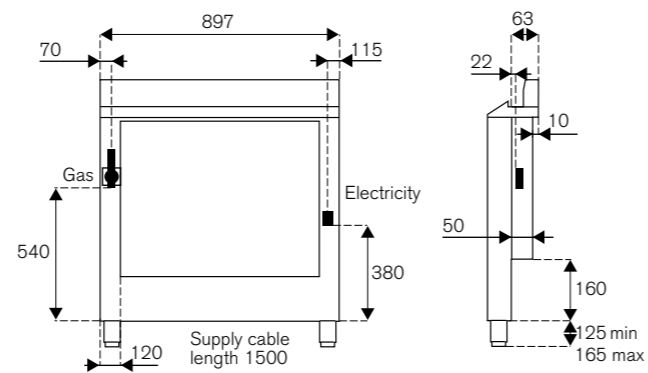
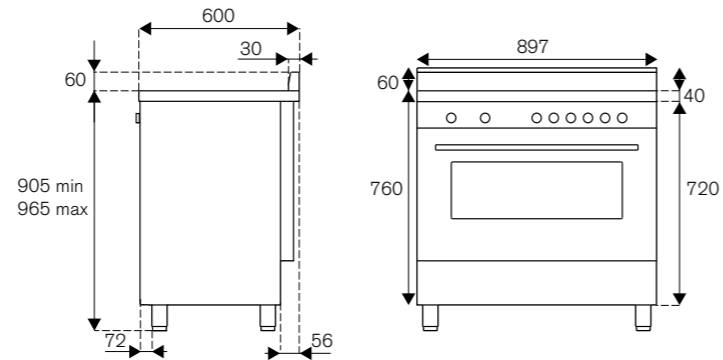
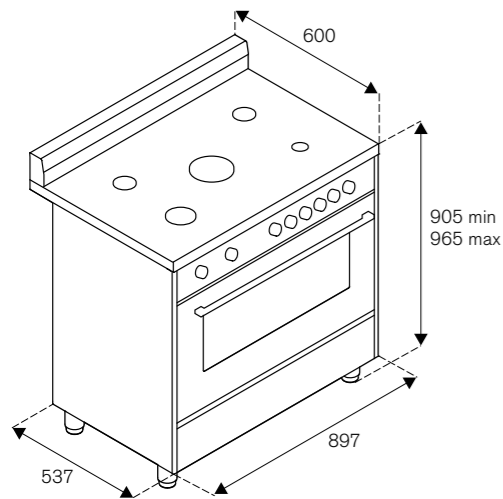


# Installation drawings

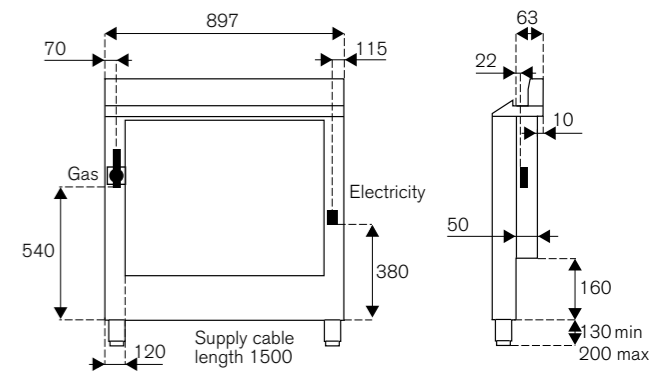
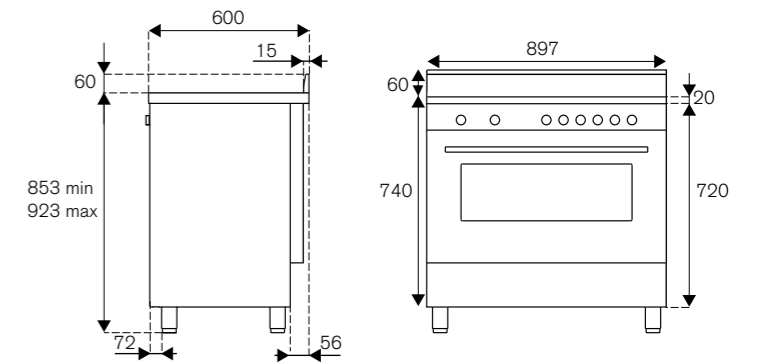
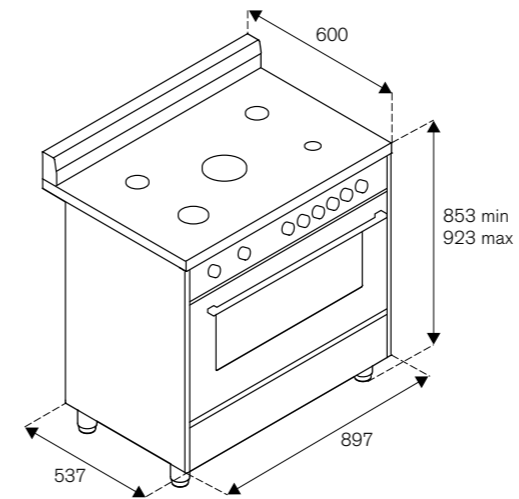
## 90 x 60 cm cookers pressed worktop



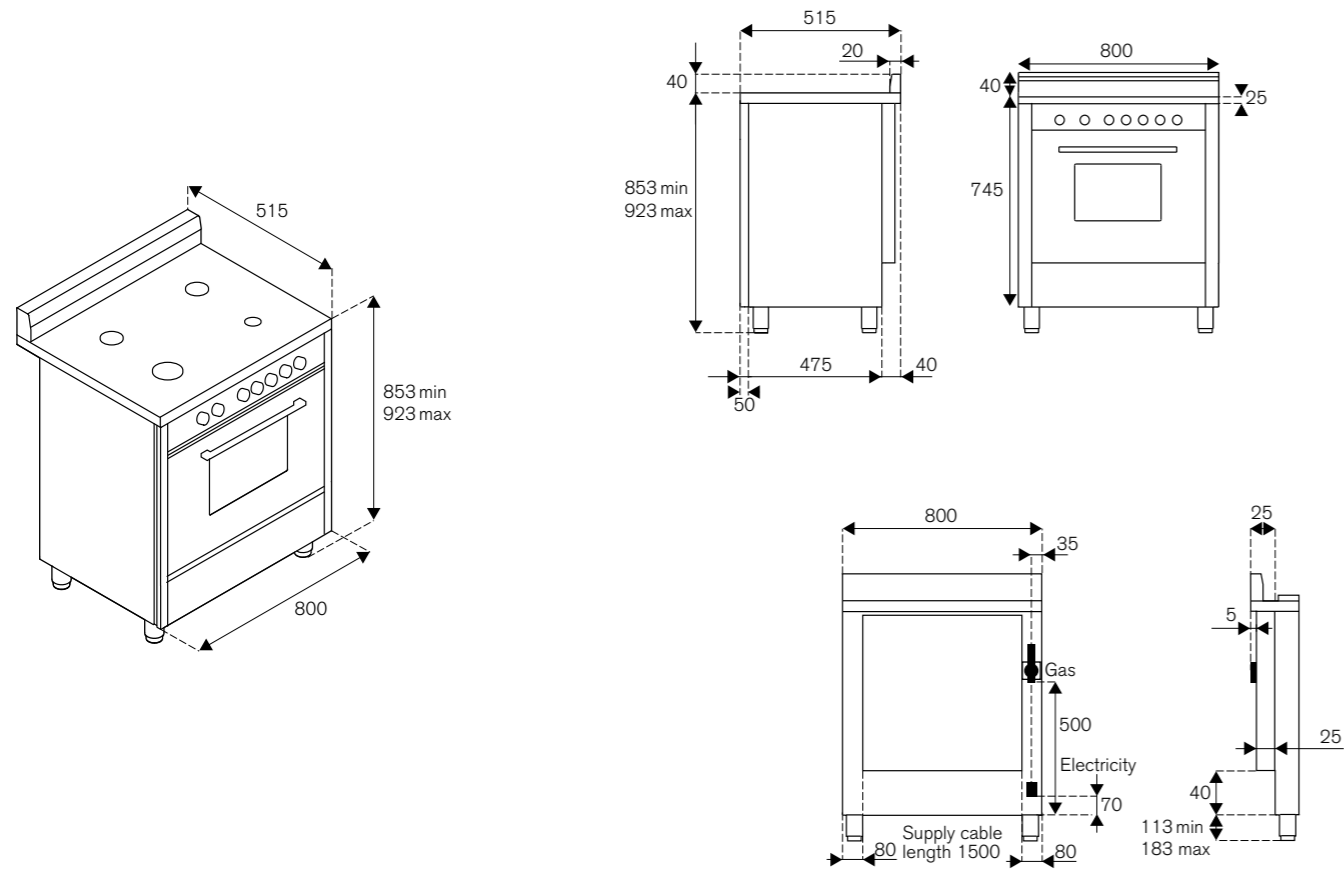
## 90 x 60 cm cookers squared worktop



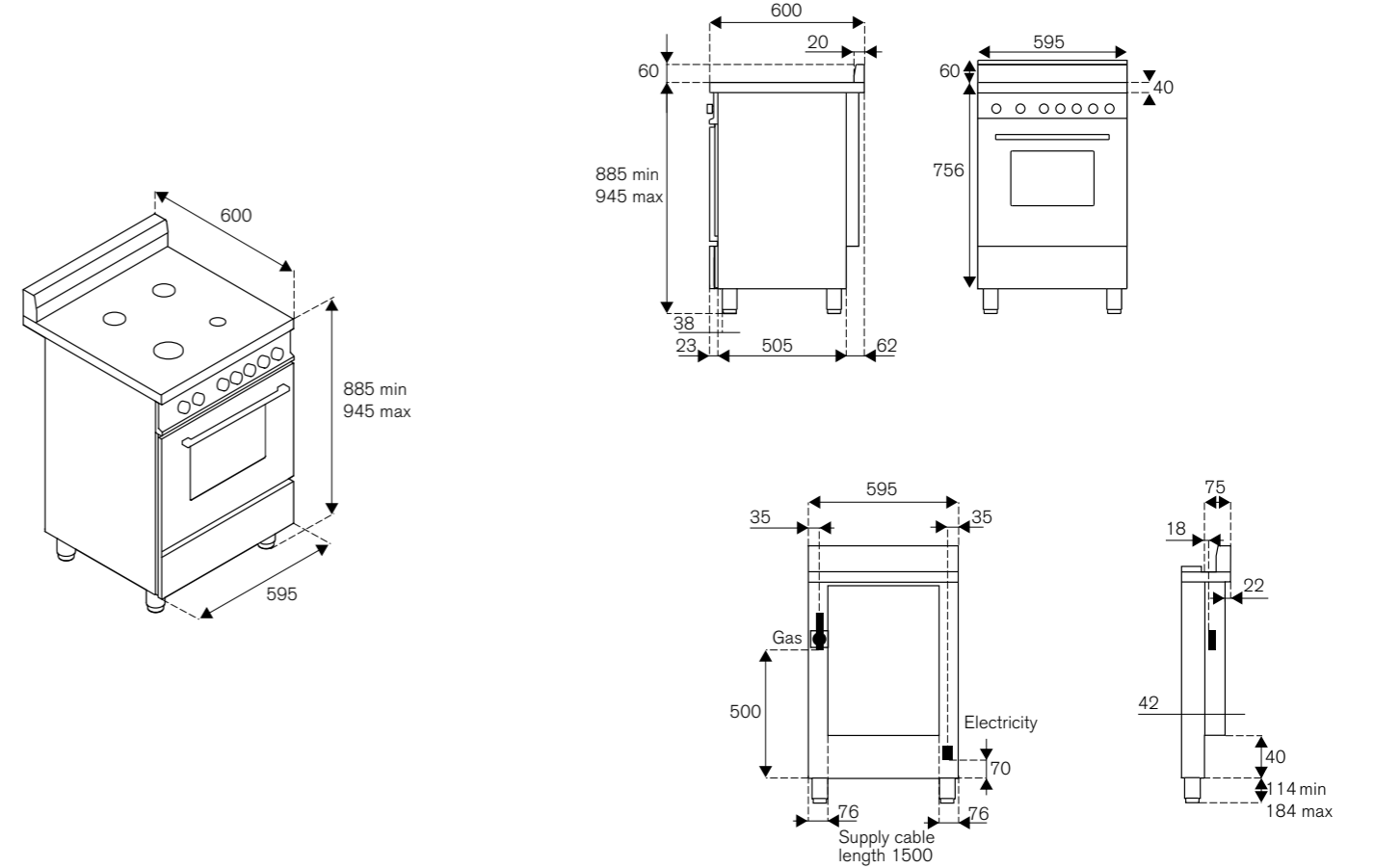
## 90 x 60 cm cookers storage compartment



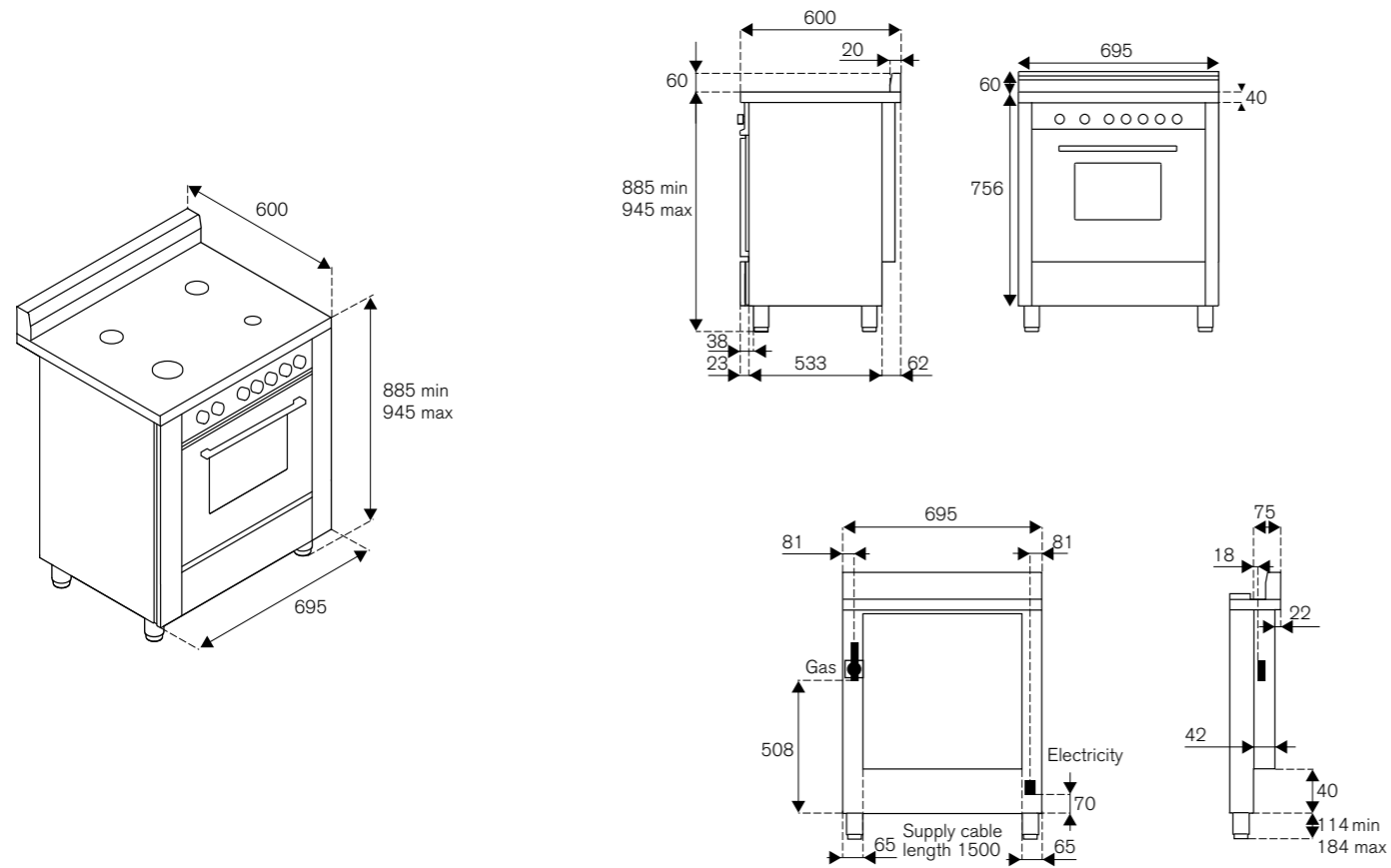
**80 x 50 cm cookers**



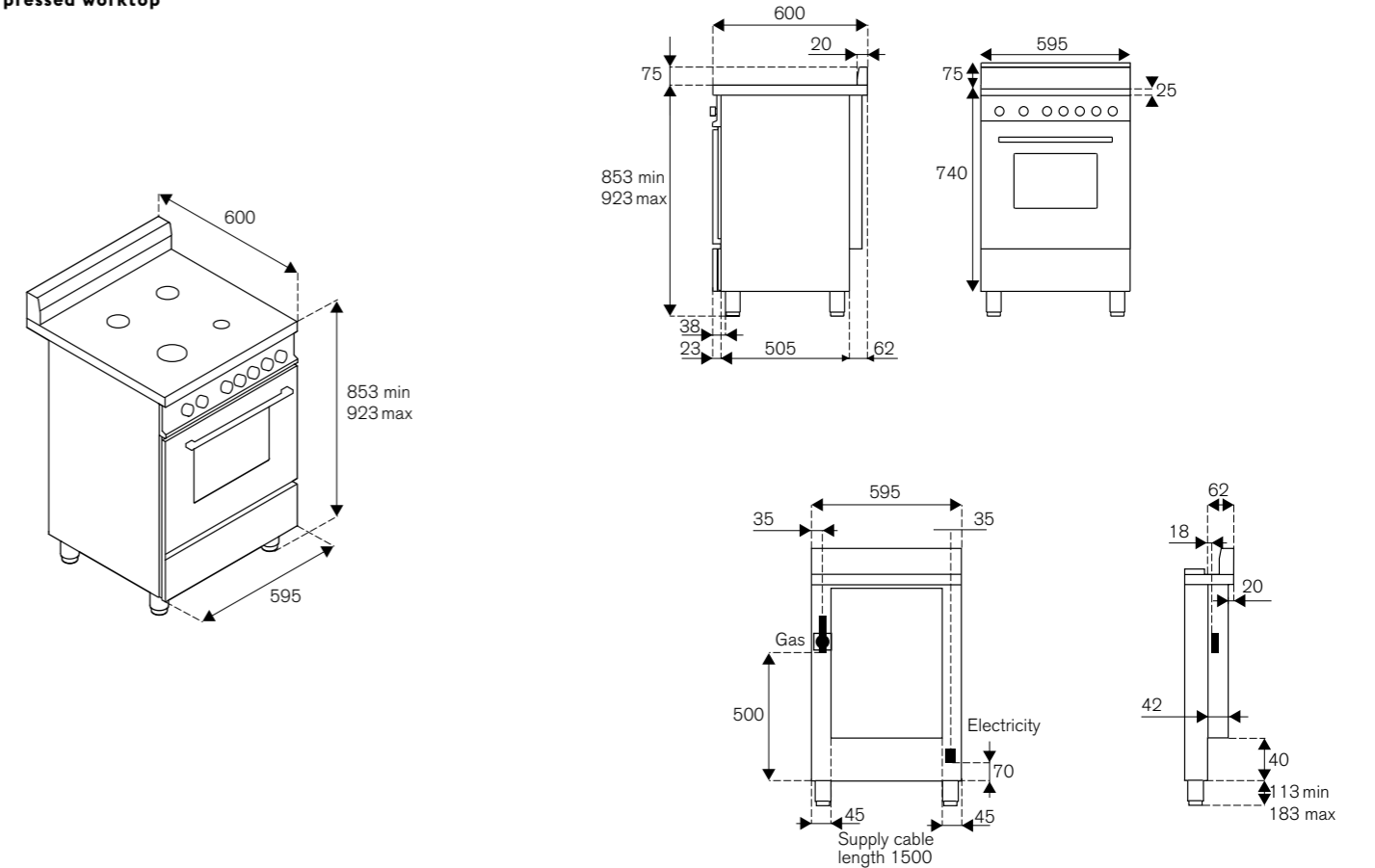
**60 x 60 cm cookers  
squared worktop**



**70 x 60 cm cookers**



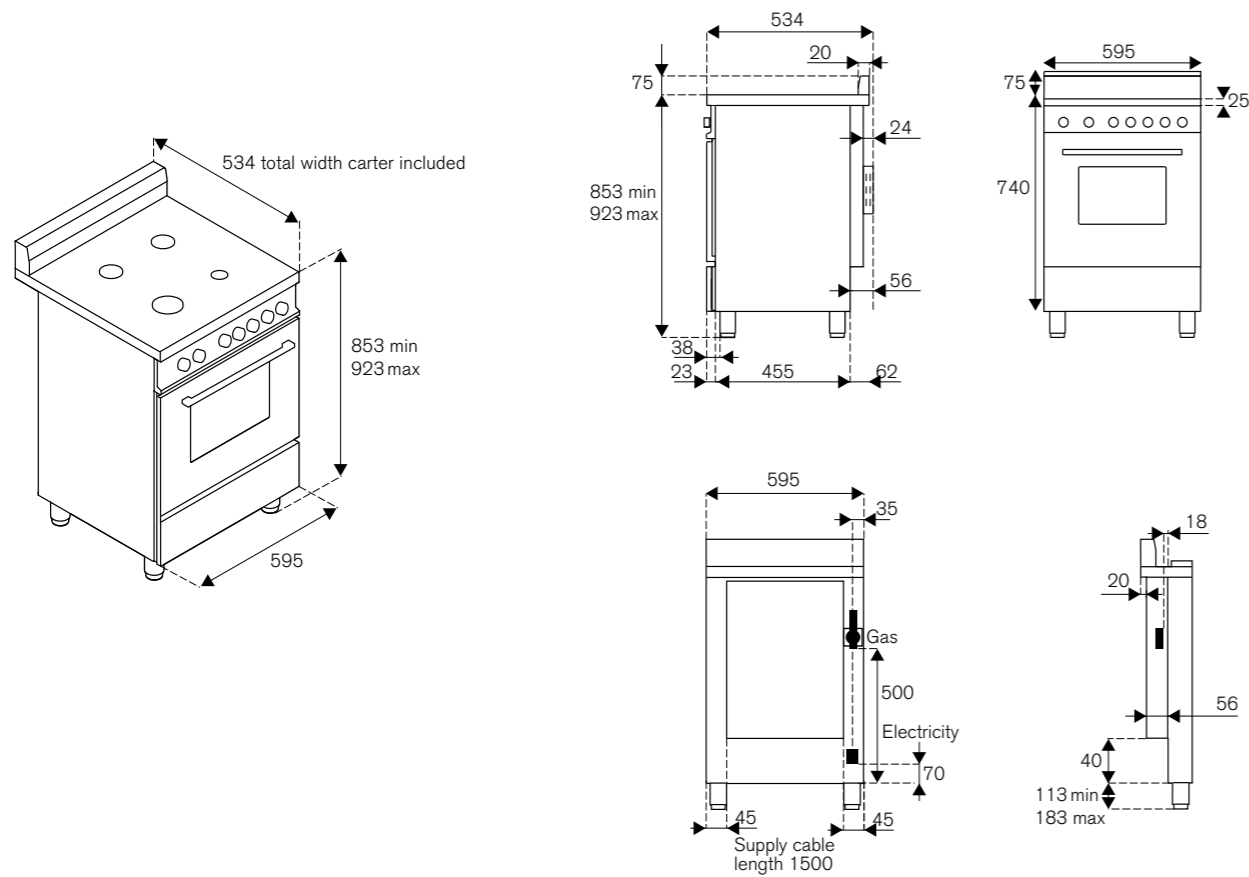
**60 x 60 cm cookers  
pressed worktop**



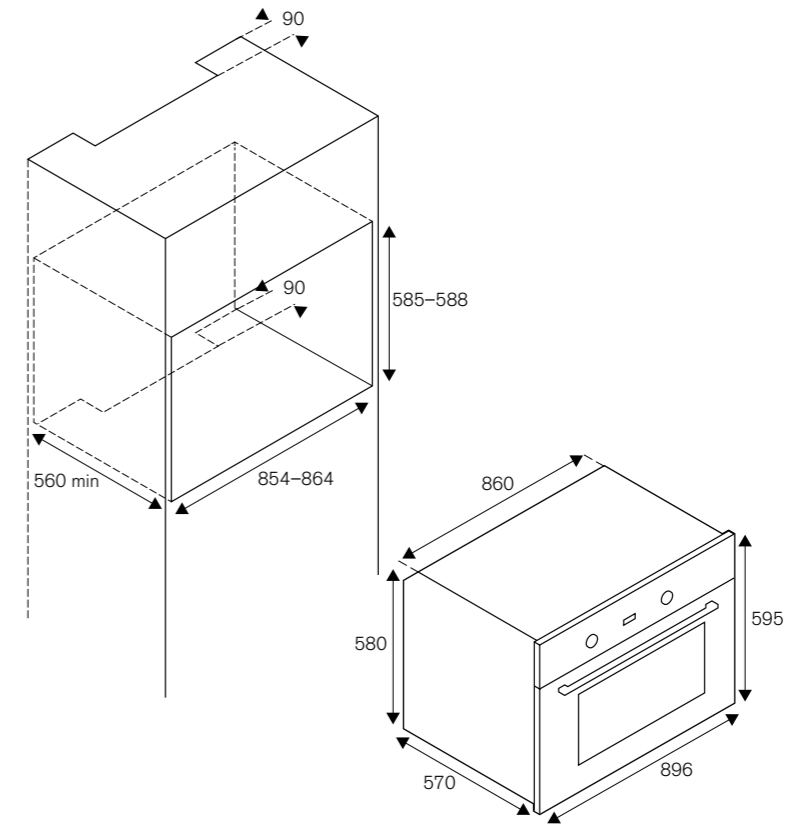
The height of the cookers featured in the drawings is for installation with standard legs.

The height of the cookers featured in the drawings is for installation with standard legs.

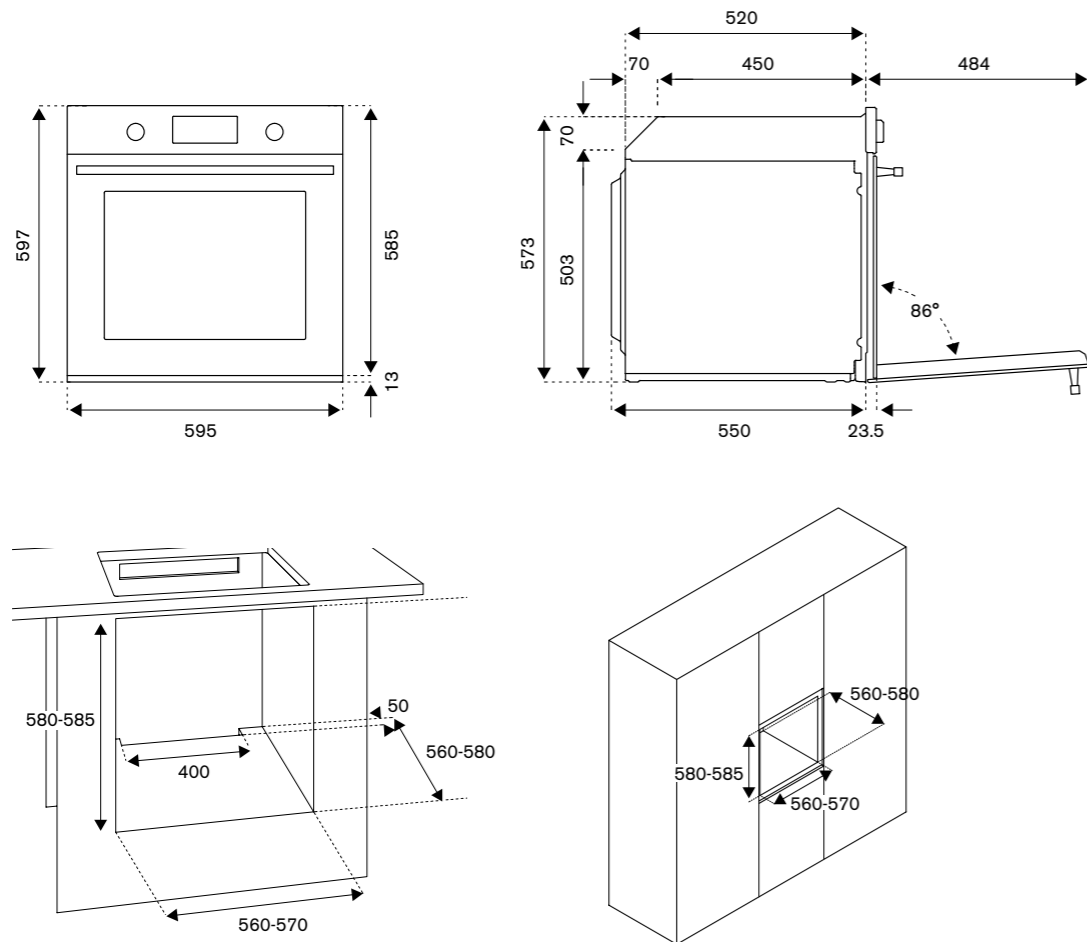
60 x 50 cm cookers



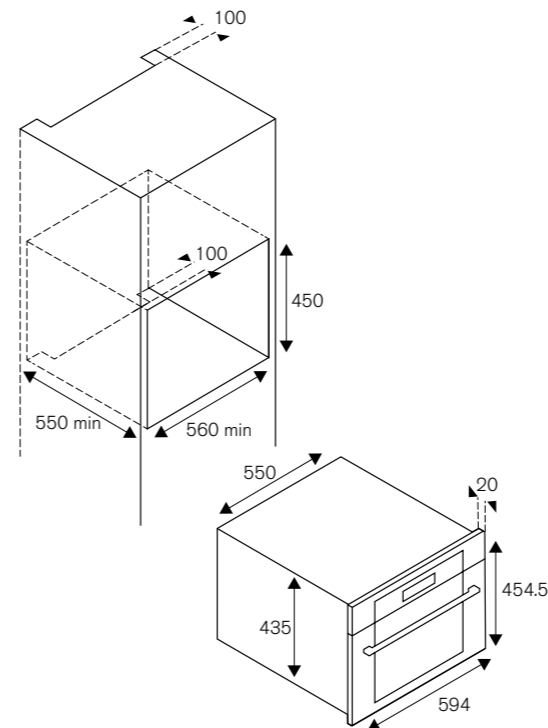
Built-in ovens  
90 cm



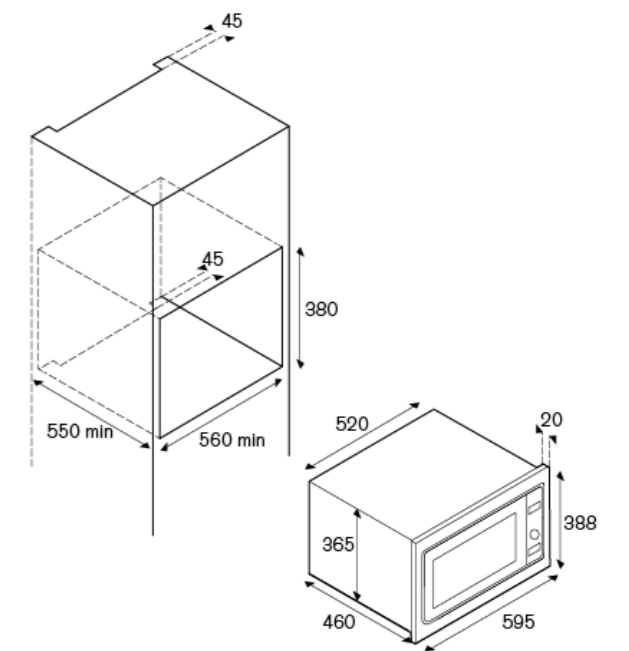
Built-in ovens  
60 cm



Microwave oven  
60 x 45 cm

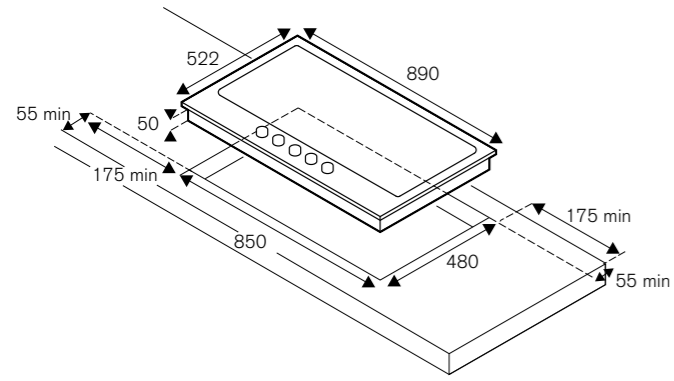


Microwave oven  
60 x 38 cm

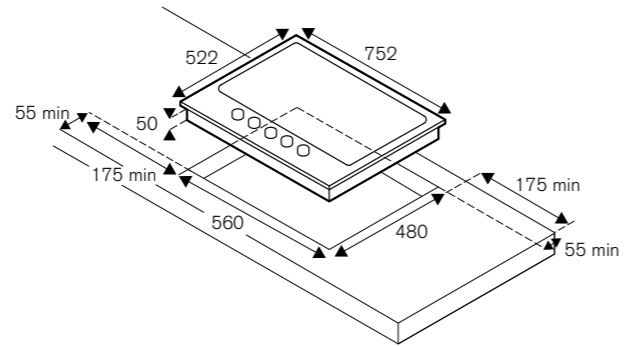


The height of the cookers featured in the drawings is for installation with standard legs.

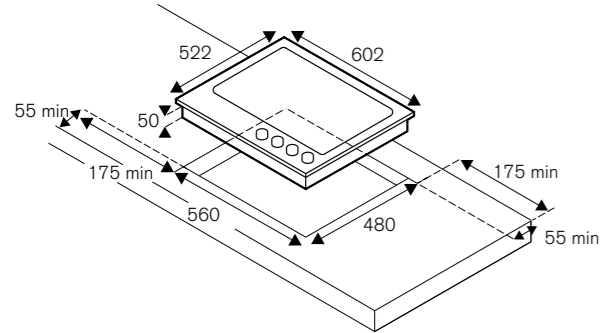
**Gas hobs  
90 cm**



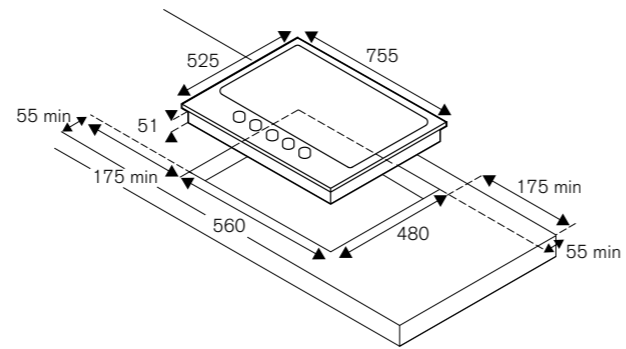
**Gas hobs  
75 cm**



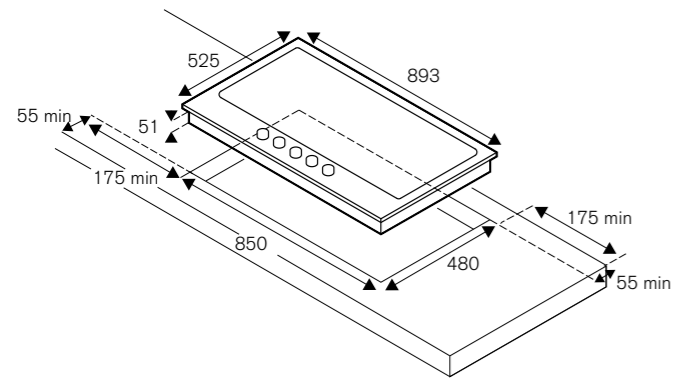
**Gas hobs  
60 cm**



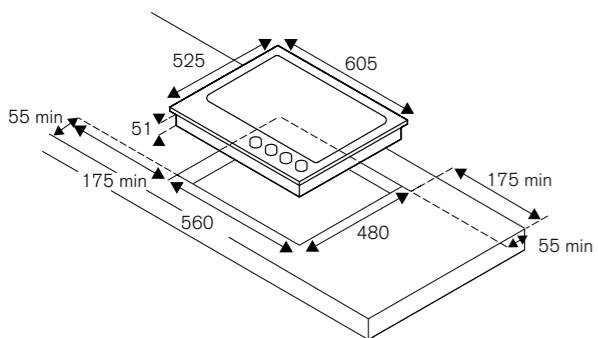
**Gas on glass hobs  
75 cm**



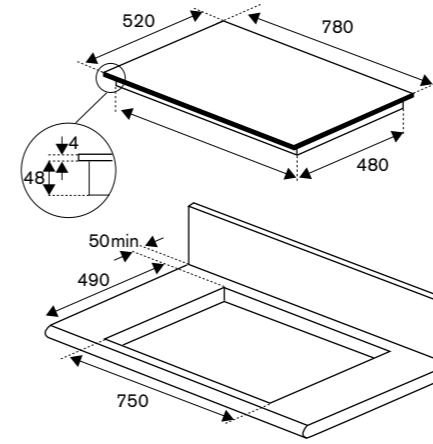
**Gas on glass hobs  
90 cm**



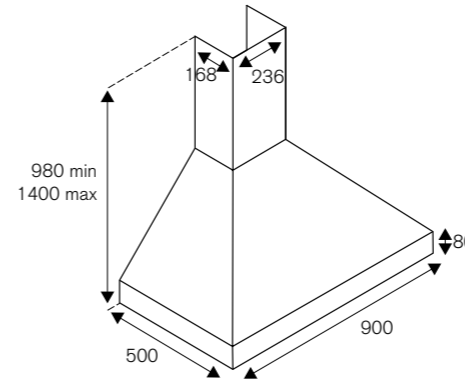
**Gas on glass hobs  
60 cm**



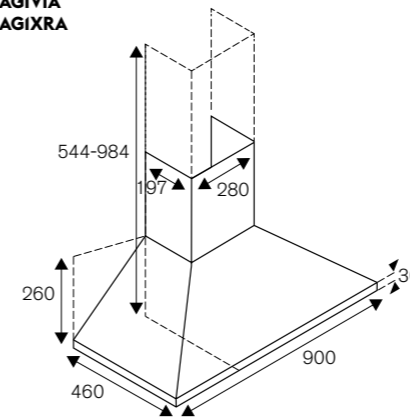
**Induction hob  
78 cm**



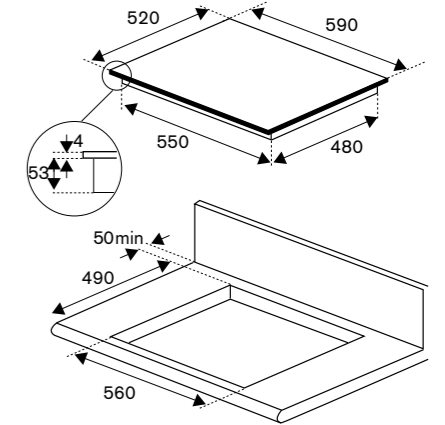
**K90AMHXA  
K90AMHNEA  
K90AMHCRA  
K90AMHVIA**



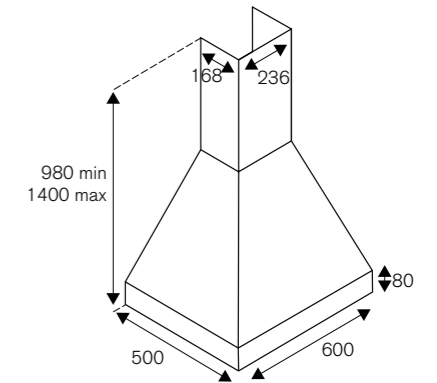
**KPL9OPLAGIXA  
KPL9OPLAGINEA  
KPL9OPLAGICRA  
KPL9OPLAGIVIA  
KPL9OPLAGIXRA**



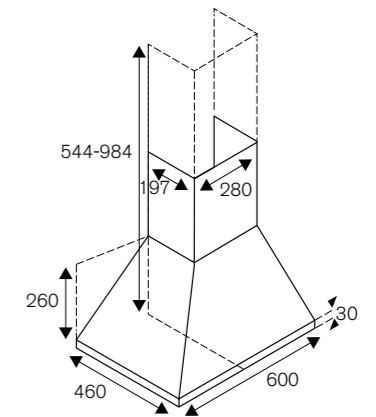
**Induction hob  
60 cm**



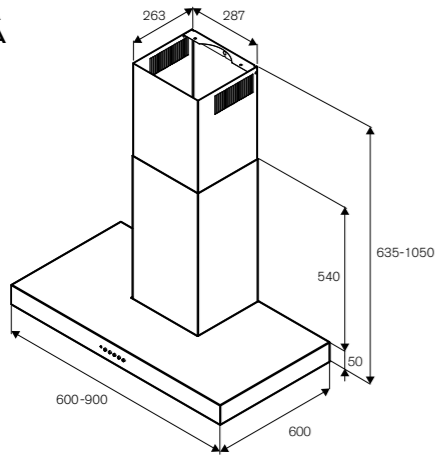
**K60AMHXA**



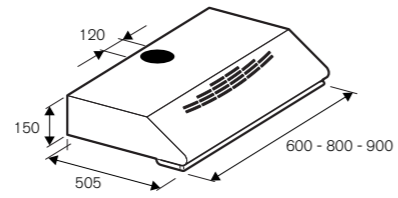
**KPL6OPLAGIXA  
KPL6OPLAGINEA  
KPL6OPLAGICRA  
KPL6OPLAGIVIA  
KPL6OPLAGIXRA**



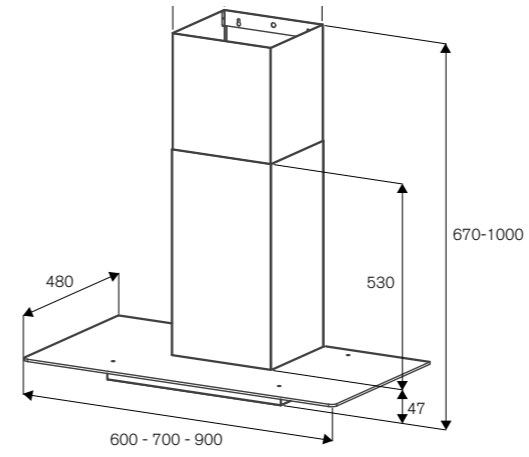
**K90TUGXA  
K60TUGXA  
K90ITUGXA**



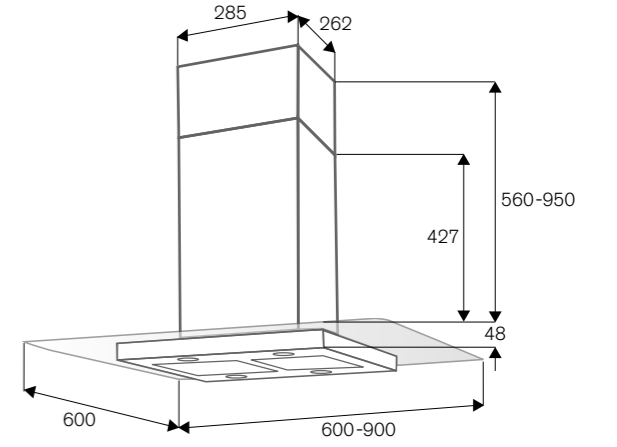
**K90TUSX  
K90TUSW  
K80TUSX  
K60TUSX**



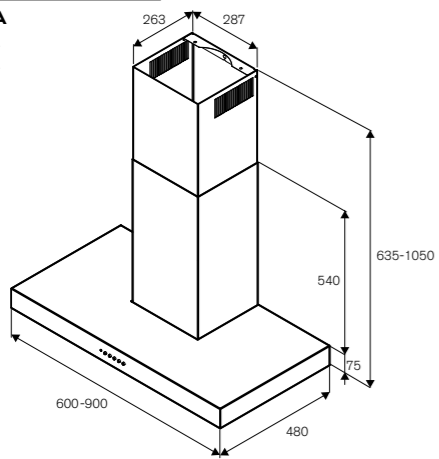
**K90TUVXA**



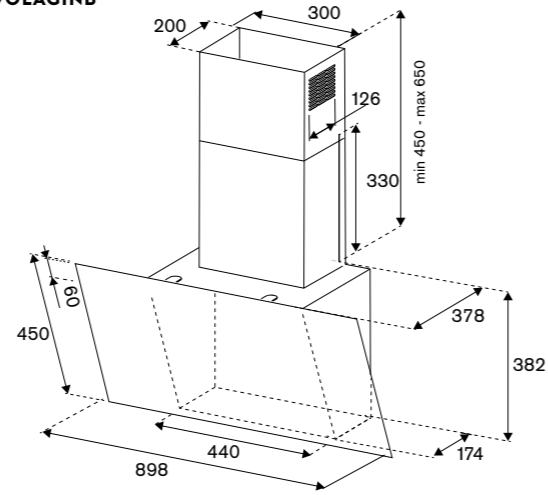
**K90ITUVXA**



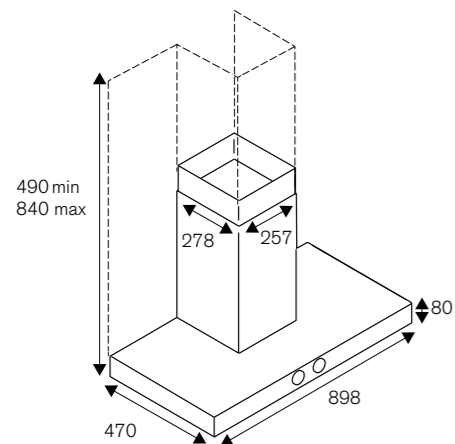
**K90ITUXXA  
K90TUXXA  
K60TUXXA**



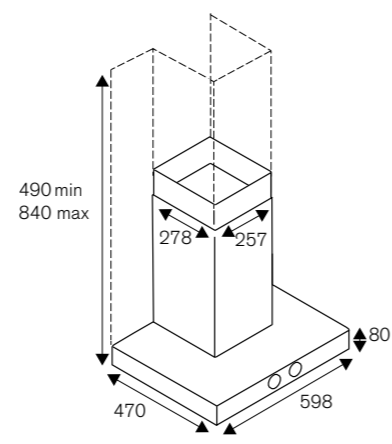
**KV90LAGINB**



**K90TUKXA**



**K60TUKXA**





**Photography:**

Giuseppe Brancato,  
Peter Wood,

**Printed in Italy**

©Bertazzoni SpA 2020

**Warranty**

All La Germania appliances are guaranteed for two years. Please note that all warranties relate to domestic installations only and not commercial.

**Disclaimer**

While every effort has been made to ensure the accuracy of the information contained in this brochure, La Germania reserves the right to change any part of the information at any time without notice. All the technical information contained in this brochure are referred to the generic worldwide model. Some features can be different in some countries due to the local certifications and approval. La Germania and the winged wheel brand icon are registered trademarks of Bertazzoni SpA.

